

PIPELINE CONNECTORS UniAdca CX 40 (DN 1/2" - 1" DN 15 - 25)

DESCRIPTION

The UniAdca CX series pipe connectors are used in steam systems where a simplified and economical maintenance program of steam is desired.

Typical installations are drip service on steam lines, tracing and small process equipment.

Two bolt flange connector permits trap replacement in minutes without disturbing piping.

The CX connector fits all UniAdca steam traps.

Connections are female screwed or flanged.

MAIN FEATURES

Remains in-line permanently making replacing of new traps easier and quicker.

UniAdca steam traps can swivel 360° allowing any pipe orientation during installation.

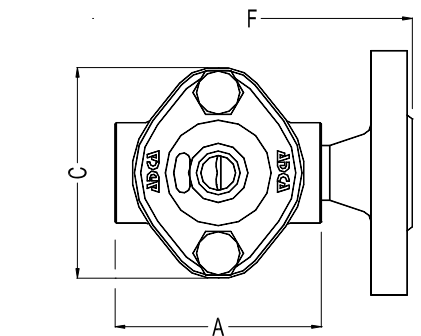
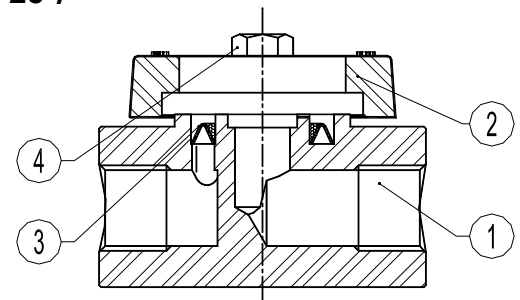
The universal flange allows the trap to be positioned in the correct position, regardless of pipeline configuration.

Built-in strainer.

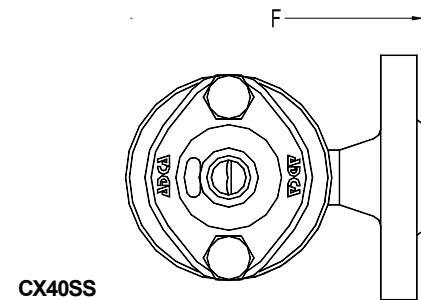
- OPTIONS:** Socket weld and ANSI flanged connections.
- USE:** Saturated and superheated steam.
- AVAILABLE MODELS:** CX40S - Forged steel construction
CX40SS - Stainless steel construction
- SIZES:** DN 1/2", 3/4" and 1"
DN 15, 20 and 25.
- CONNECTIONS:** Female screwed ISO 7/1 Rp (BS21).
Flanged EN 1092-1 or ANSI.
- INSTALLATION:** Can be installed in any position according to the type of UniAdca steam trap to be used.
See IMI installation and maintenance instructions.

PMA – Max. allowable pressure	80	bar
TMA – Max. allowable temperature	425	°C
PMO – Max. operating pressure	32	bar
TMO – Max. operating temperature	400	°C

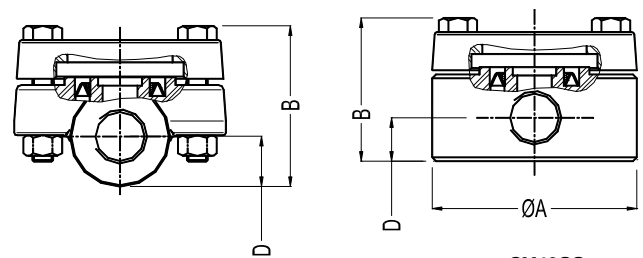
How to order: i.e. CX40S DN20 PN40



CX40S



CX40SS



CX40S

CX40SS

DIMENSIONS (mm)-Screwed						EN 1092-1 Flanges	
SIZE DN	A	B	C	19	WGT. Kgs	F	WGT. Kgs
15	80	65	80	19	1,2	150	2,8
20	80	65	80	19	1,2	150	3,5
25	80	75	80	24	1,8	160	4,5

MATERIALS			
POS. N r.	DESIGNATION	MATERIAL CX40S	MATERIAL CX40SS
1	Body	P250GH / 1.0460	AISI316 / 1.4401
2	Flange	P250GH / 1.0460	AISI316 / 1.4401
3	* Strainer	AISI304 / 1.4301	AISI304 / 1.4301
4	* Bolts	A4-80	A4-80

* Available spare parts