

## THERMOSTATIC STEAM TRAP UniAdca TS22

### DESCRIPTION

UniAdca TS 22 complete stainless steel , maintenance free sealed series thermostatic steam traps and air eliminators are specifically designed for use on process equipment such as kettle cookers, sterilizers, food, chemical and laundry equipment.

These traps fits the CX40 UniAdca pipeline connectors.

### MAIN FEATURES

- Modulating discharge.
- Discharges condensate close to steam temperature.
- Thermostats for different subcooling (5°K to 30°K).
- Excellent air discharge .
- Operates on moderate superheated steam.

OPTIONS: LC-low capacity

USE : Saturated steam.

AVAILABLE

MODELS : TS 22

SIZES : DN 1/2" , 3/4" and 1"  
DN15, DN20 and DN25.

According to the selected pipeline connector.

See IS 1.0910 and IS 1.0915

INSTALLATION : In any position.

See IMI, installation and maintenance instructions.

PMA – Max.allowable pressure 32 bar

TMA – Max.allowable temperature 300 °C

PMO – Max.operating pressure 22 bar

TMO – Max.operating temperature 250 °C

How to order:

-Steam trap : TS 22 ( Thermostatic steam trap ) .

-Pipe connector :

-CX40S DN ... ( Forged steel pipe connector )

-CX40SS DN ... ( Stainless steel pipe connector )

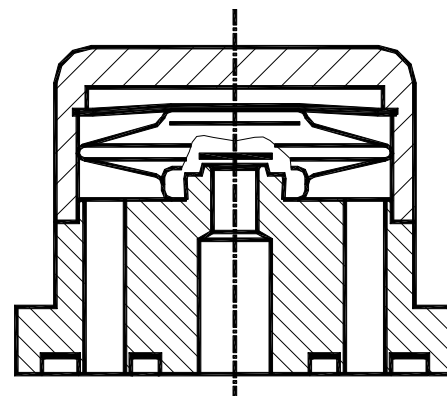
-CX402S DN ... ( Forged steel double pipe connector )

-CX402SS DN ... ( Stainless steel double pipe connector )

-The complete set :

TS22XS DN ... ( Steel pipe connector CX40S plus TS22 thermostatic steam trap )

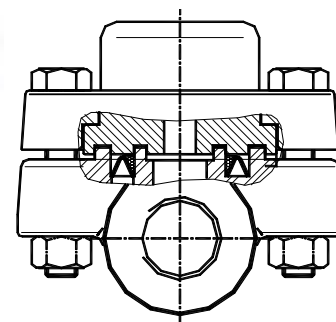
TS22X2S DN ... ( Steel pipe double connector CX402S plus two TS22 steam traps )



### Materials:

AISI316 / 1.4401 throughout

Weight - 0,4 Kgs



Steam trap plus pipe connector

See IS 1.0915 and IS 1.0970

		FLOW RATE CAPACITY IN Kgs/h														
MODEL	SIZE	DIFFERENTIAL PRESSURE (bar)														
		0,2	0,3	0,5	1	1,5	2	3	4	6	8	10	13	15	20	22
TS 22	15 - 25	70	120	140	255	330	385	455	510	600	670	700	720	750	775	795
TS22LC	15 - 25	45	55	70	95	125	135	180	200	270	315	330	360	370	405	415

Capacities shown refer to condensate at 10°C below saturated steam temperature (standard type-S thermostat) .

Thermostats for 5° C type-H and 30° type-L, also available.

Capacities for cold condensate discharge at 20°C are two to three times greater.