

BIMETALLIC STEAM TRAP UniAdca BSR22

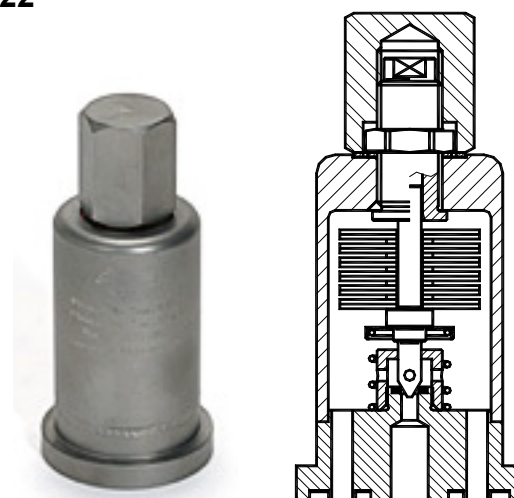
DESCRIPTION

UniAdca BSR 22 complete stainless steel, maintenance free sealed series bimetallic steam traps and air eliminators are simple and robust traps, recommended for steam tracing applications and where condensate sensible heat can be recovered.

These traps fits the CX40 UniAdca connectors.

MAIN FEATURES

- External adjustment device
- Modulating discharge.
- Discharges condensate below steam temperature.
- Excellent air discharge.
- Operates on superheated steam.
- Unaffected by waterhammer and vibrations.



- OPTIONS:** Sealed with external regulation
- USE :** Saturated and superheated steam.
- AVAILABLE MODELS :** BSR 22
- SIZES :** DN 1/2" , 3/4" and 1"
DN 15 , 20 and 25.
According to the selected pipeline connector , see IS 1.0910
- INSTALLATION:** In any position .
See IMI installation and maintenance instructions.

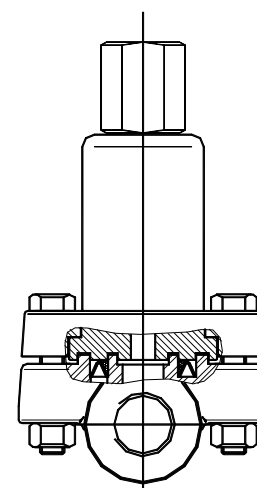
Materials:

- AISI316 / 1.4401 throughout
- Regulator - bimetallic
- Valve and seat - hardened stainless steel
- Weight - 0,8 Kgs

- PMA – Max.allowable pressure 80 bar
- TMA – Max.allowable temperature 425 °C
- PMO – Max.operating pressure 22 bar
- TMO – Max.operating temperature 400 °C

How to order:

- Steam trap : BSR 22 (Bimetallic steam trap with external regulator).
- Pipe connector :
- CX40S DN ... (Forged steel pipe connector)
- CX40SS DN ... (Stainless steel pipe connector)
- The complete set :
- BSR22XS DN ... (Steel pipe connector CX40S plus BSR22 steam trap)
- BSR22XSS DN...(Stainless steel pipe connector CX40SS plus BSR22 steam trap)



Steam trap plus pipe connector
See IS 1.0915

FLOW RATE CAPACITY IN Kgs/h

| MODEL | SIZE DN | DIFFERENTIAL PRESSURE (bar) | | | | | | | | | | | | |
|--------|-----------|-----------------------------|-----|-----|-----|-----|-----|-----|-----|-----|-----|-----|-----|-----|
| | | 0,5 | 1 | 2 | 4 | 6 | 8 | 10 | 12 | 14 | 16 | 18 | 20 | 22 |
| BSR 22 | 15 - 25 A | 25 | 55 | 70 | 85 | 90 | 95 | 100 | 102 | 104 | 105 | 107 | 108 | 110 |
| BSR 22 | 15 - 25 B | 60 | 140 | 175 | 210 | 225 | 240 | 250 | 255 | 260 | 265 | 267 | 270 | 273 |

A = Condensate discharge at 10°C below saturation temperature. **B** = Cold water capacity at about 20°C.