

INVERTED BUCKET STEAM TRAPS IB30S (Carbon steel / stainless steel) IB30SS (All stainless steel)

DESCRIPTION

IB 30 series inverted bucket steam traps are recommended for all services where the most important requirements are overall operating efficiency and long, trouble-free service life. They operate intermittently, either wide open or tightly closed and are therefore best suited for service at medium and high steam pressures.

Connections are female screwed or flanged .

MAIN FEATURES

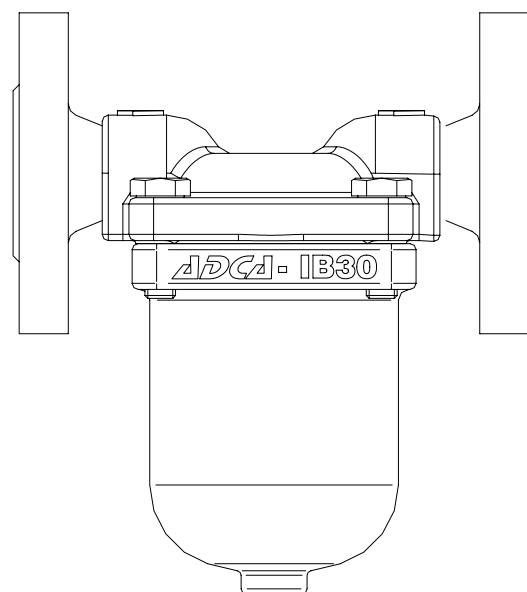
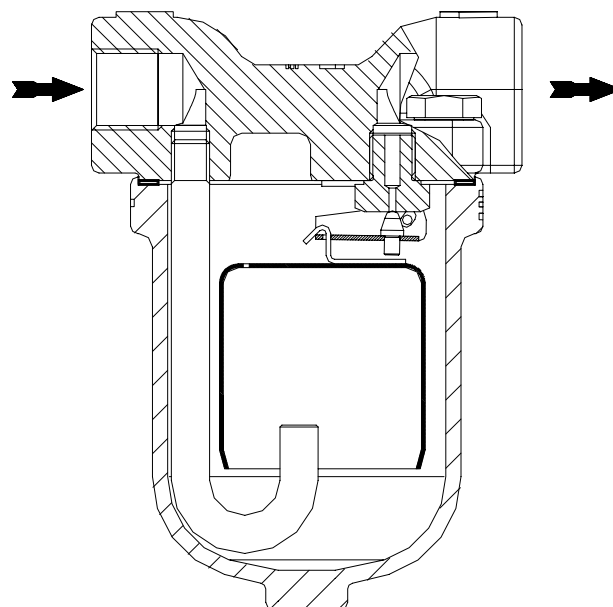
- Intermittent discharge.
- Discharges condensate at steam temperature.
- Unaffected by water hammer and vibrations.
- Easy to maintain.

- OPTIONS: Anti-freeze device
 USE: Saturated and superheated steam.
 AVAILABLE MODELS: IB30S and IB30SS
 SIZES: IB30S-DN ½" -DN1" ;DN15 - DN25
 IB30SS-DN ½" –DN3/4" ;DN15 - DN20
 CONNECTIONS: Female screwed ISO7/1 Rp (BS21)
 Flanged DIN or ANSI
 INSTALLATION: Horizontal installation
 See IMI installation and maintenance instructions.

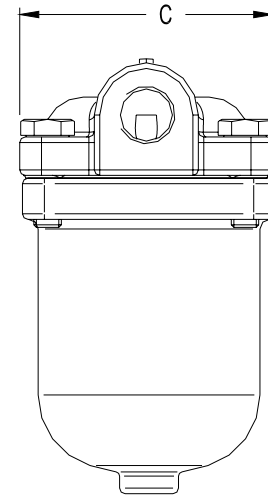
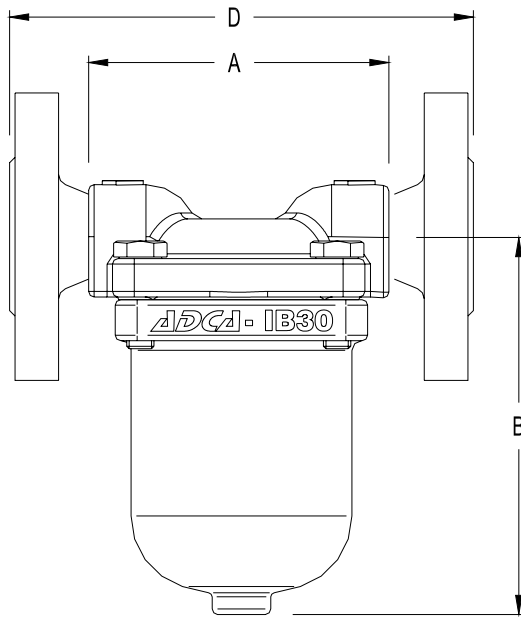
- PMA – Max.allowable pressure 40 bar
 TMA – Max.allowable temperature 400 °C
 PMO – Max.operating pressure 27 bar
 TMO – Max.operating temperature 380 °C
 How to order:i.e. IB30S-8 DN ½" BSP

MAX. DIFFERENTIAL PRESSURE

- IB30S-4 – IB30SS-4 : 4 bar
 IB30S-8 – IB30SS-8 : 8 bar
 IB30S-12 – IB30SS-12: 12 bar



FLOW RATE CAPACITY IN Kgs/h												
MODEL	SIZE	DIFFERENTIAL PRESSURE (bar)										
		1	2	3	4	5	6	7	8	10	11	12
IB30-4	15 - 25	280	390	470	530							
IB30-8	15 - 25	190	260	320	360	400	430	460	500			
IB30-12	15 - 25	160	220	260	290	320	360	370	400	440	480	490



DIMENSIONS (mm)				DIN Flanges		
SIZE DN	A	B	C	WGT. Kgs	D	WGT. Kgs
15	110	125	92	2,3	170	3,8
20	110	125	92	2,3	170	4,3
25	110	125	92	2,3	180	4,9

MATERIALS		
POS.Nr.	DESIGNATION	MATERIAL
1	Body	P250GH / 1.0460 ; CF8M / 1.4408
2	Cover	CF8M / 1.4408
3 *	Gasket	Graphite
4 *	Seat	AISI 410 / 1.4006
5 *	Valve	AISI 410 / 1.4006
6 *	Lever	AISI 304 / 1.4301
7 *	Bucket	AISI 304 / 1.4301
8	Inlet tube	AISI 304 / 1.4301
9	Bolts	A2 - 70
10**	Anti-freeze device	AISI 304 / 1.4301

* Available spare parts

**Optional

