

## INVERTED BUCKET STEAM TRAPS IB35S (Carbon steel / stainless steel) IB35SS (All stainless steel)

### DESCRIPTION

IB 35 series inverted bucket steam traps are recommended for all services where the most important requirements are overall operating efficiency and long, trouble-free service life. They operate intermittently, either wide open or tightly closed and are therefore best suited for service at medium and high steam pressures.

Connections are female screwed or flanged .

### MAIN FEATURES

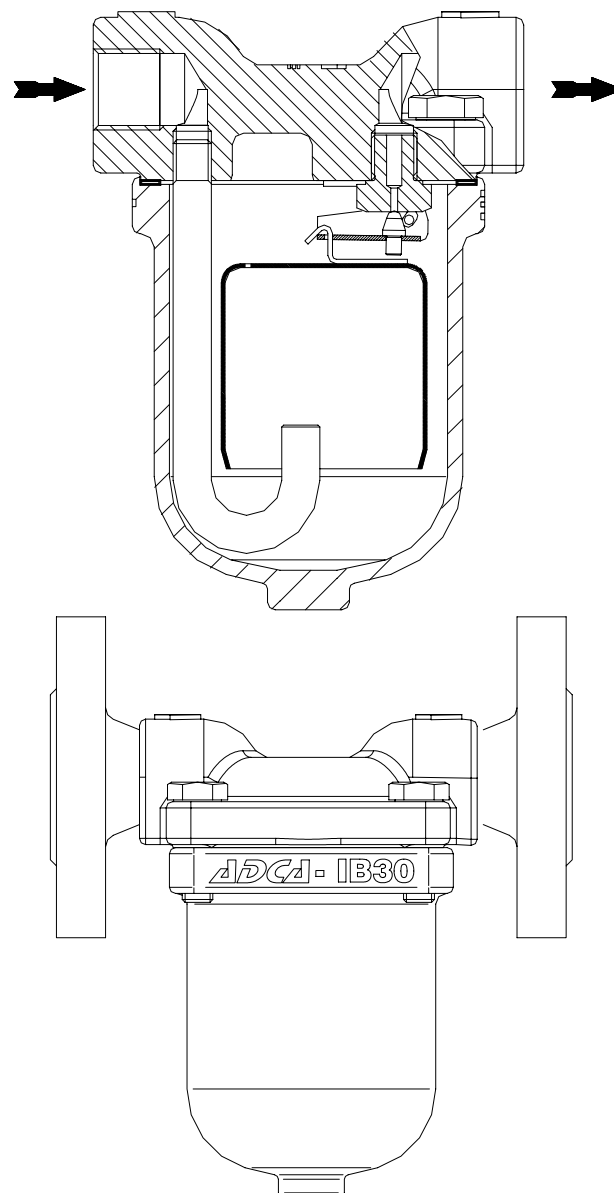
- Intermittent discharge.
- Discharges condensate at steam temperature.
- Unaffected by water hammer and vibrations.
- Easy to maintain.

- OPTIONS:           Anti-freeze device  
 USE:                Saturated and superheated steam.
- AVAILABLE  
 MODELS:           IB35S and IB35SS  
 SIZES:             IB35S-DN ½" -DN1" ;DN15 - DN25  
                       IB35SS-DN ½" -DN3/4" ;DN15 - DN20
- CONNECTIONS:   Female screwed ISO7/1 Rp (BS21)  
                       Flanged EN 1092-1 PN40 or ANSI
- INSTALLATION:   Horizontal installation  
                       See IMI installation and maintenance instructions.

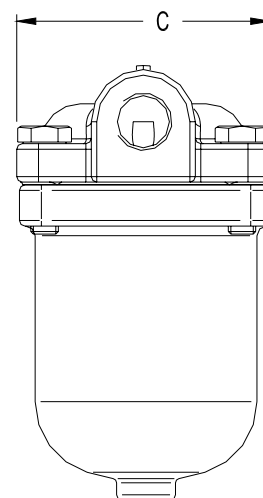
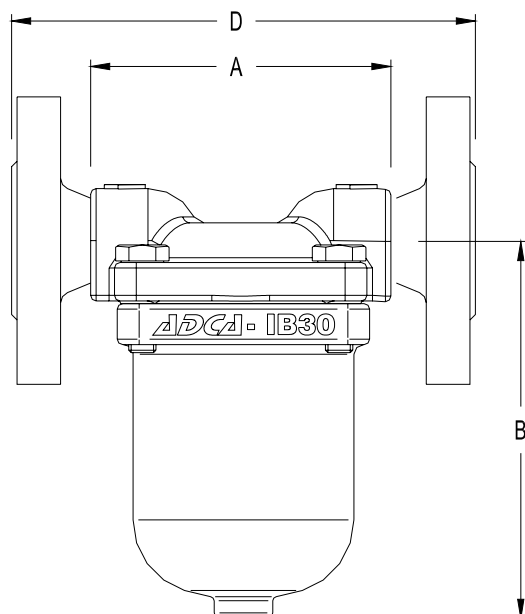
- PMA – Max.allowable pressure                   40 bar  
 TMA – Max.allowable temperature             400 °C  
 PMO – Max.operating pressure                27 bar  
 TMO – Max.operating temperature            380 °C  
 How to order:i.e. IB35S-17 DN ½" BSP

### MAX. DIFFERENTIAL PRESSURE

- IB35S-17 – IB35SS-17 :   17 bar  
 IB35S-27 – IB35SS-27 :   27 bar



FLOW RATE CAPACITY IN Kgs/h																		
MODEL	SIZE	DIFFERENTIAL PRESSURE (bar)																
		1	2	3	4	5	6	7	8	10	11	12	14	17	20	22	24	27
IB35-17	15 - 25	140	180	200	215	225	235	240	250	265	270	275	280	400				
IB35-27	15 - 25	80	100	115	120	125	132	137	140	150	153	155	158	233	240	245	250	255



DIMENSIONS (mm)				EN 1092-1 Flanges		
SIZE DN	A	B	C	WGT. Kgs	D	WGT. Kgs
15	110	125	92	2,3	170	3,8
20	110	125	92	2,3	170	4,3
25	110	125	92	2,3	180	4,9

MATERIALS		
POS.Nr.	DESIGNATION	MATERIAL
1	Body	P250GH / 1.0460 ; CF8M / 1.4408
2	Cover	CF8M / 1.4408
3 *	Gasket	Graphite
4 *	Seat	AISI 410 / 1.4006
5 *	Valve	AISI 410 / 1.4006
6 *	Lever	AISI 304 / 1.4301
7 *	Bucket	AISI 304 / 1.4301
8	Inlet tube	AISI 304 / 1.4301
9	Bolts	A2-70
10**	Anti-freeze device	AISI 304 / 1.4301

\* Available spare parts

\*\*Optional

