

## FLOAT AND THERMOSTATIC STEAM TRAPS FLT32 (Cast steel DN40-50)

### DESCRIPTION

FLT 32 float and thermostatic (integral air vent) steam traps series are designed for all types of low and high pressure steam heating and process equipment.

Typical applications include unit heaters, heat exchangers, driers, jacketed vessels and all the applications where continuous drainage is essential.

Connections are female screwed or flanged for horizontal or vertical installation.

### MAIN FEATURES

Modulating discharge.

Discharges condensate at steam temperature.

Unaffected by sudden or wide load and pressure changes.

Excellent air discharge (by thermostatic air vent).

**OPTIONS:** SLR – steam lock release  
Equalizing plug or vent connection

**USE:** Saturated and superheated steam.

### AVAILABLE

**MODELS:** FLT32-4,5 , 10 , 14 and 21

**SIZES:** DN11/2" - DN2" ; DN40 – DN50

**CONNECTIONS:** Female screwed ISO7/1 Rp (BS21)

Flanged EN 1092-1 PN40

**INSTALLATION:** Standard horizontal installation –

From right to left FLT32 (R-L)

Upon request:

-horizontal installation with the flow from left to right (L-R)

-vertical installation with the flow from top to bottom (V)

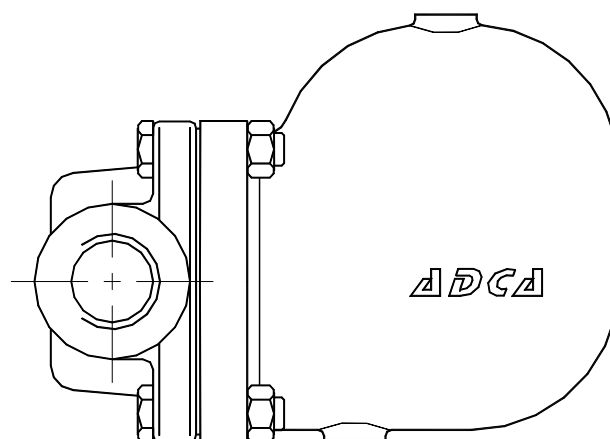
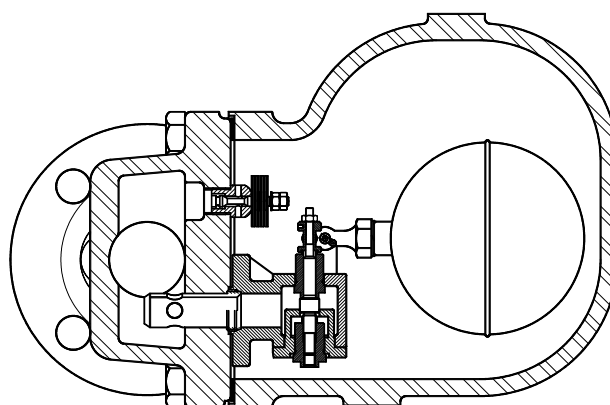
PMA – Max.allowable pressure 40 bar

TMA – Max.allowable temperature 300 °C

PMO – Max.operating pressure 32 bar

TMO – Max.operating temperature 250 °C

How to order:i.e. FLT32-14 DN40 EN1092-1



### MAX. DIFFERENTIAL PRESSURE

FLT32-4,5 : 4,5 bar

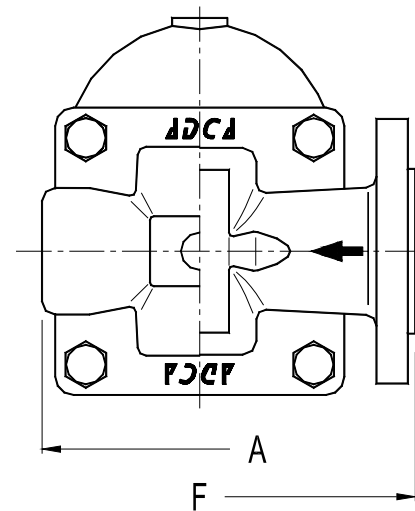
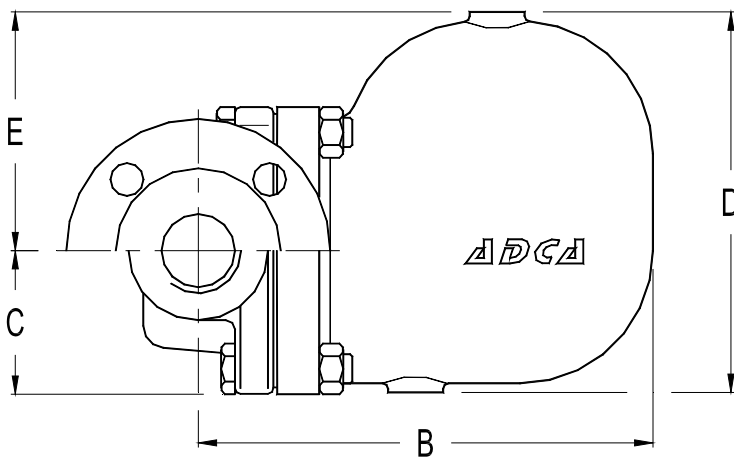
FLT32-10 : 10 bar

FLT32-14: 14 bar

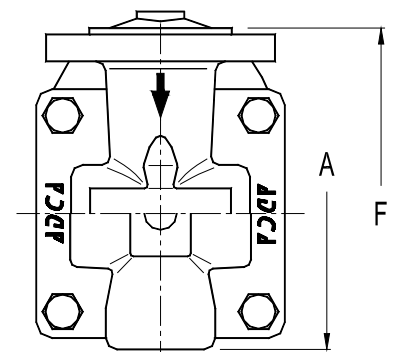
FLT32-21: 21 bar

| CE MARKING (PED - European Directive 97/23/EC) |               |
|--|---------------|
| PN 40  | Category      |
| DN40 - DN50                                    | 1 (CE Marked) |

| FLOW RATE CAPACITY IN Kgs/h |       |                             |      |      |      |      |      |      |      |      |      |      |
|-----------------------------|-------|-----------------------------|------|------|------|------|------|------|------|------|------|------|
| MODEL                       | SIZE  | DIFFERENTIAL PRESSURE (bar) |      |      |      |      |      |      |      |      |      |      |
|                             |       | 0,5                         | 1    | 1,5  | 2    | 4,5  | 7    | 10   | 12   | 14   | 16   | 21   |
| FLT32-4,5                   | 40-50 | 2400                        | 3400 | 3900 | 4500 | 7300 |      |      |      |      |      |      |
| FLT32-10                    | 40-50 | 1500                        | 2000 | 2600 | 3000 | 4000 | 5400 | 6200 |      |      |      |      |
| FLT32-14                    | 40-50 | 950                         | 1300 | 1600 | 1800 | 2600 | 3250 | 3900 | 4210 | 4950 |      |      |
| FLT32-21                    | 40-50 | 950                         | 1300 | 1600 | 1800 | 2600 | 3250 | 3900 | 4210 | 4950 | 5000 | 5600 |



| DIMENSIONS (mm)-Screwed |     |     |    |     |     |          | EN 1092-1 Flanges |     |          |
|-------------------------|-----|-----|----|-----|-----|----------|-------------------|-----|----------|
| SIZE DN                 | A   | B   | C  | D   | E   | WGT. Kgs | F                 | B   | WGT. Kgs |
| 40                      | 210 | 248 | 79 | 208 | 131 | 16,9     | 230               | 248 | 20,3     |
| 50                      | 210 | 248 | 79 | 208 | 131 | 17,5     | 230               | 248 | 20,3     |



Vertical Installation (V)

| MATERIALS |             |                            |
|-----------|-------------|----------------------------|
| POS.Nr.   | DESIGNATION | MATERIAL                   |
| 1         | Body        | GP240GH / 1.0619           |
| 2         | Cover       | GP240GH / 1.0619           |
| 3         | *Gasket     | Stainless st. / Graphite   |
| 4         | *Seat       | CF8 / 1.4308               |
| 5         | *Valve      | AISI 420 / 1.4021          |
| 6         | *Lever      | AISI 304 / 1.4301          |
| 7         | *Float      | AISI 304 / 1.4301          |
| 8         | *Air vent   | Stainless st. (Bimetallic) |
| 9         | Bolts       | Steel 8.8                  |

\*Available spare parts.

