

## FLOAT AND THERMOSTATIC STEAM TRAPS FLT14I (Stainless steel DN1" – DN25)

### DESCRIPTION

FLT 14I float and thermostatic (integral air vent) steam traps series are designed for all types of low and high pressure steam heating and process equipment.

Typical applications include unit heaters, heat exchangers, driers, jacketed vessels and all the applications where continuous drainage is essential.

Connections are female screwed or flanged for horizontal or vertical installation.

### MAIN FEATURES

Modulating discharge.

Discharges condensate at steam temperature.

Unaffected by sudden or wide load and pressure changes.

Excellent air discharge (by thermostatic air vent).

**OPTIONS:** SLR – steam lock release  
Equalizing plug or vent connection  
Internal strainer

**USE:** Saturated and superheated steam.

### AVAILABLE

**MODELS:** FLT14I-4,5 , 10 and 14

**SIZES:** DN 1" – DN25

**CONNECTIONS:** Female screwed ISO7/1 Rp (BS21)  
Flanged EN 1092-1 PN16

**INSTALLATION:** Standard horizontal installation –  
From right to left FLT14I (R-L)

Upon request:

-horizontal installation with the flow from left to right (L-R)

-vertical installation with the flow from top to bottom (V)

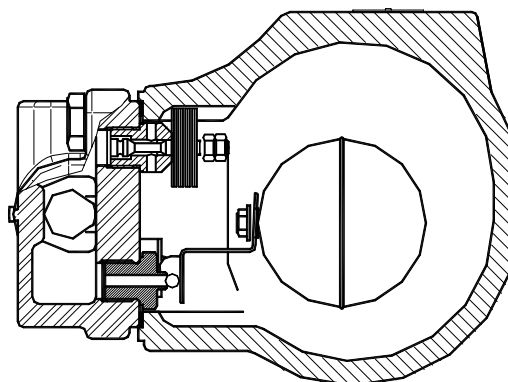
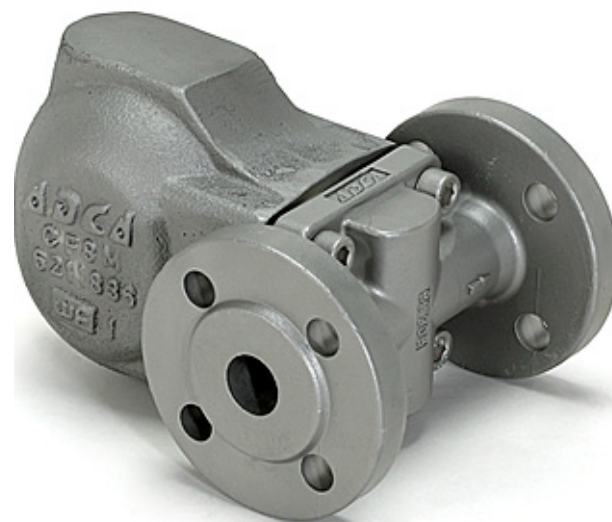
PMA – Max.allowable pressure 16 bar

TMA – Max.allowable temperature 300 °C

PMO – Max.operating pressure 14 bar

TMO – Max.operating temperature 198 °C

How to order:i.e. FLT14I-14 DN 1" BSP



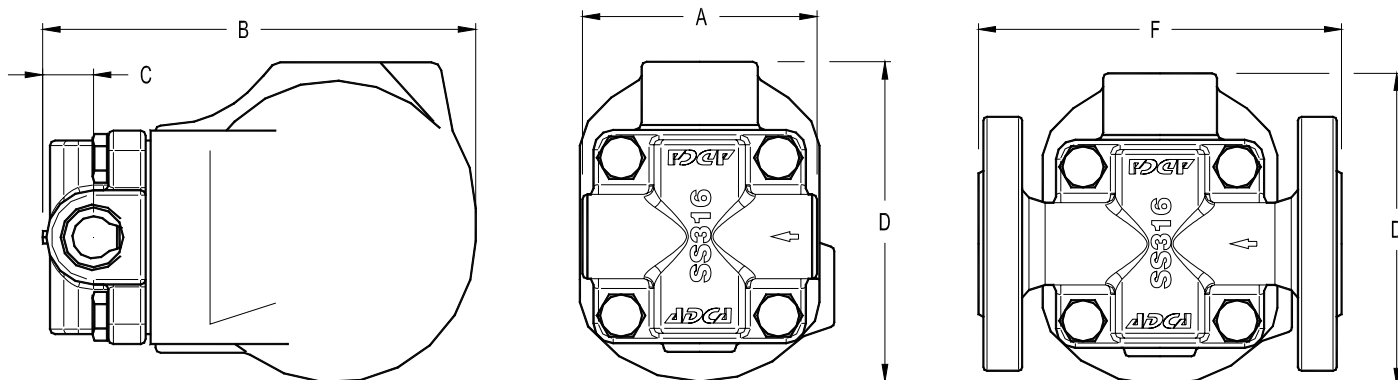
### MAX. DIFFERENTIAL PRESSURE

FLT14I-4,5 : 4,5 bar

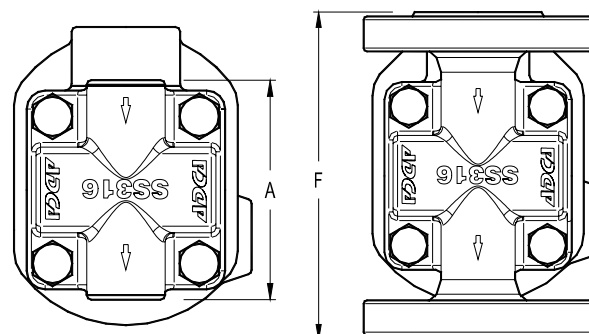
FLT14I-10 : 10 bar

FLT14I-14: 14 bar

FLOW RATE CAPACITY IN Kgs/h														
MODEL	SIZE	DIFFERENTIAL PRESSURE (bar)												
		0,5	1	1,5	2	3	4,5	6	7	8	9	10	12	14
FLT14I-4,5	1"- 25	230	330	400	440	535	630							
FLT14I-10	1"- 25	150	200	250	280	340	400	460	495	520	550	595		
FLT14I-14	1"- 25	120	150	190	220	260	320	380	400	425	440	480	510	550



DIMENSIONS (mm)-Screwed						EN 1092-1 Flanges	
SIZE DN	A	B	C	D	WGT. Kgs	F	WGT. Kgs
25	95	178	23	128	5,2	160	7,7



Vertical Installation (V)

MATERIALS		
POS.Nr.	DESIGNATION	MATERIAL
1	Body	CF8M / 1.4408
2	Cover	CF8M / 1.4408
3	*Gasket	Stainless st./Graphite
4	*Seat	AISI 410 / 1.4006
5	*Valve	AISI 440C / 1.4125
6	*Lever	AISI 304 / 1.4301
7	*Float	AISI 304 / 1.4301
8	*Air vent	Stainless st. (Bimetallic)
9	Bolts	St.Steel A2-70

\*Available spare parts.

