

FLOAT AND THERMOSTATIC STEAM TRAPS FLT 50 S and FLT65 S (Fabricated steel) DN50 – DN100

DESCRIPTION

FLT 50S / 65S float and thermostatic (integral air vent) steam traps series are designed for all types of low and high pressure steam heating and process equipment. Typical applications include unit heaters, heat exchangers, driers, jacketed vessels and all the applications where continuous drainage is essential. Connections are flanged.

MAIN FEATURES

Modulating discharge.
Discharges condensate at steam temperature.
Unaffected by sudden or wide load and pressure changes.
Excellent air discharge (by thermostatic air vent).



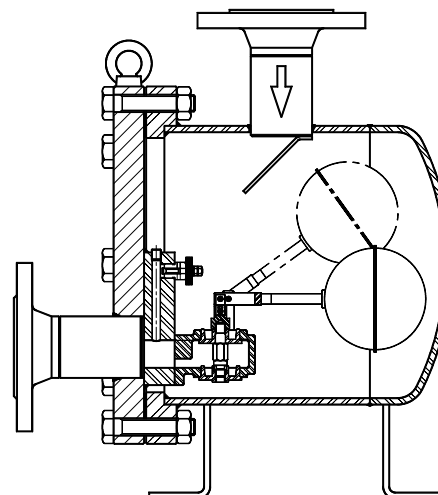
USE: Saturated and superheated steam.
AVAILABLE MODELS: FLT50S – FLT65S

SIZES: FLT50 - DN 50 and DN 65
FLT65 – DN65 to DN100

CONNECTIONS: Flanged EN 1092-1 PN16 or ANSI

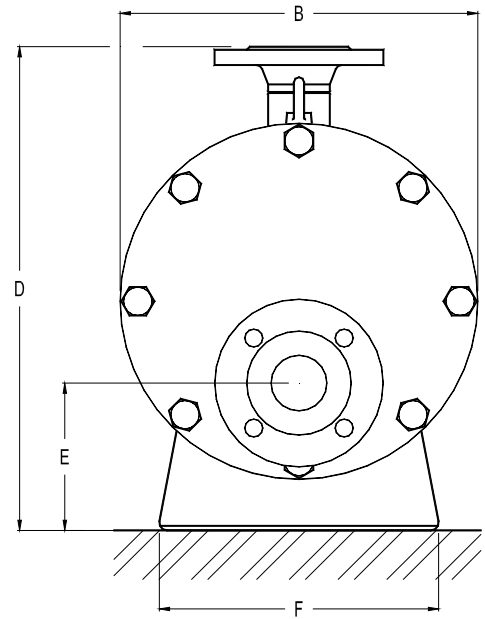
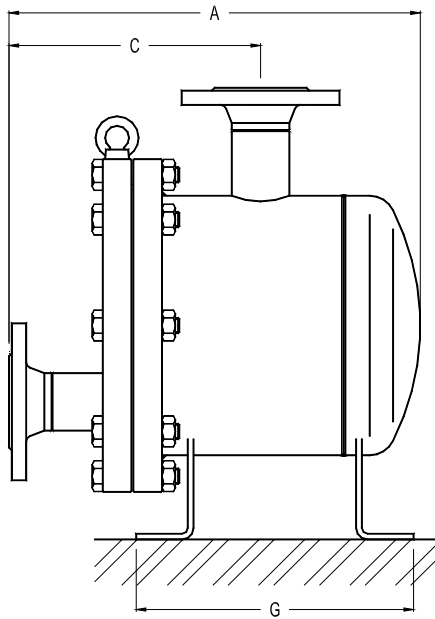
INSTALLATION: Horizontal standard installation with vertical inlet and horizontal outlet.

PMA – Max.allowable pressure 16 bar
TMA – Max.allowable temperature 300 °C
PMO – Max.operating pressure 12 bar
TMO – Max.operating temperature 250 °C
Max.differential pressure 12 bar
How to order:i.e. FLT50S DN65 EN 1092-1



CE MARKING (PED - European Directive 97/23/EC)	
PN 16	Category
FLT50 DN50 - DN65	2 (CE Marked)
FLT65 DN65 - DN100	2(CE Marked)

FLOW RATE CAPACITY IN Kgs/h															
MODEL	SIZE	DIFFERENTIAL PRESSURE (bar)													
		0,5	1	1,5	2	2,5	3	3,5	4	5	6	7	8	10	12
FLT50-12	50-65	11300	12500	13500	15000	16000	17500	18500	20000	20500	21500	22000	22500	23000	23500
FLT65-12	65-100	20000	25000	27000	34000	37000	38000	39500	42000	43500	45500	47000	48000	49500	50000



DIMENSIONS (mm)

MODEL	SIZE DN	A	B	C	D	E	F	G	WGT. Kgs
FLT 50	50-65	430	350	263	475	145	273	290	70
FLT 65	65-100	480	440	270	570	176	355	360	110

MATERIALS

POS.Nr.	DESIGNATION	MATERIAL FLT50 - FLT65
1	Body	P250GH / 1.0460 ; P235GH / 1.0305 ; S355J2G3 / 1.0570 ; S235JRG2/1.0038
2	Cover	P235GH / 1.0305 ; P265GH / 1.0425 ; S355J2G3 / 1.0570
3	*Gasket	Graphite
4	*Seat	CF8 / 1.4308
5	*Valve	AISI420 / 1.4021; CF8M / 1.4408
6	*Lever	AISI316 / 1.4401 ; AISI304 / 1.4301
7	*Float	AISI304 / 1.4301
8	*Air vent	Stainless steel (Bimetalic)
9	Bolts	Steel 8.8

*Available spare parts.

