

BIMETALLIC STEAM TRAPS AND AIR ELIMINATORS BM 20 (DN ½" – 1" DN 15 – 25)

DESCRIPTION

BM20series bimetallic steam traps and air eliminators are simple and robust traps, recommended for steam process applications where condensate sensible heat can be recovered, steam tracing lines, drip points, storage tank coils, steam air venting, etc. The use of condensate sensible heat reduces the steam consumption.

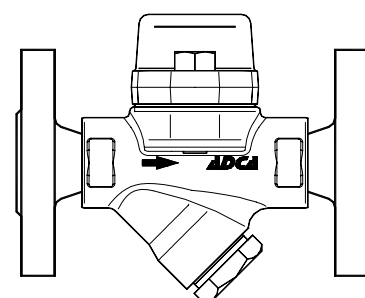
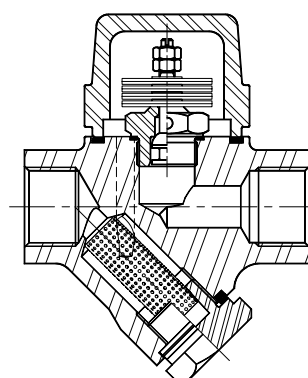
Connections are female screwed or flanged.

MAIN FEATURES

- Modulating discharge.
- Discharges condensate below steam temperature.
- Excellent air discharge.
- Operates on superheated steam.
- Unaffected by water hammer and vibrations.
- Built-in strainer.



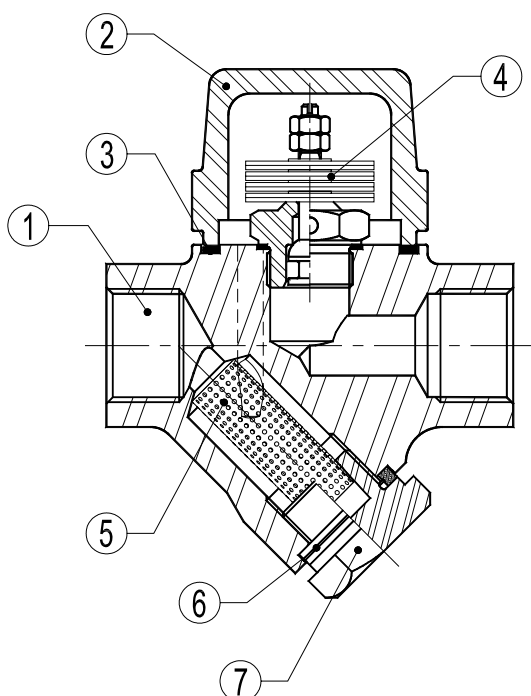
- OPTIONS:** Blowdown valve
- USE:** Saturated and superheated steam.
- AVAILABLE MODELS:** BM20
- SIZES:** DN ½" to 1" ; DN15 to DN25.
- CONNECTIONS:** Female screwed ISO 7/1 Rp (BS21)
Flanged EN1092-1 PN40 or ANSI
- INSTALLATION:** Horizontal installation recommended, can be installed in any position.
See IMI installation and maintenance instructions.



PMA – Max.allowable pressure	32	bar
TMA – Max.allowable temperature	400	°C
PMO – Max.operating pressure	17	bar
TMO –Max. Operating temperature	250	°C

FLOW RATE CAPACITY IN Kgs/h												
MODEL	SIZE	DN	DIFFERENTIAL PRESSURE (bar)									
			0,5	1	2	4	6	8	10	12	14	17
BM20	15 - 25	A	125	200	320	410	445	485	500	540	580	600
BM20	15 - 25	B	450	700	1000	1220	1340	1450	1560	1650	1780	1850

A = Condensate discharge at 10°C below saturation temperature. **B** = Cold water capacity at about 20°C.



MATERIALS		
POS.N r.	DESIGNATION	MATERIAL
1	Body	P250GH / 1.0460
2	Cover	P250GH / 1.0460
3	* Gasket	St.St./Graphite
4	* Valve assy.	Bimetal
5	* Strainer screen	AISI304 / 1.4301
6	* Gasket	St.steel / Graphite
7	* Cover strainer	A 105 / 1.0432
8	Bolts	A2-70

* Available spare parts

SIZE DN	DIMENSIONS (mm)-Screwed					EN1092-1 Flanges	
	A	B	C	D	WGT. Kgs	E	WGT. Kgs
15	95	59	95	65	1,6	150	3,2
20	95	59	95	65	1,6	150	3,3
25	95	65	95	65	1,8	160	4,7

