

## THERMOSTATIC STEAM TRAPS AND AIR ELIMINATORS TH 21 ( DN ½” DN 15 )

### DESCRIPTION

The TH 21 series thermostatic steam traps and air eliminators are specifically designed for use on process equipment such as kettle cookers, sterilizers, food, chemical and laundry equipment.

Connections are female screwed or flanged.

### MAIN FEATURES

Modulating discharge.

Discharges condensate close to steam temperature.

Thermostats for different sub cooling (5°K to 30°K).

Excellent air discharge .

Operates on moderate superheated steam.

Built-in strainer.

OPTIONS: LC-low capacity

USE: Saturated steam.

### AVAILABLE

MODELS: TH21 , TH21LC

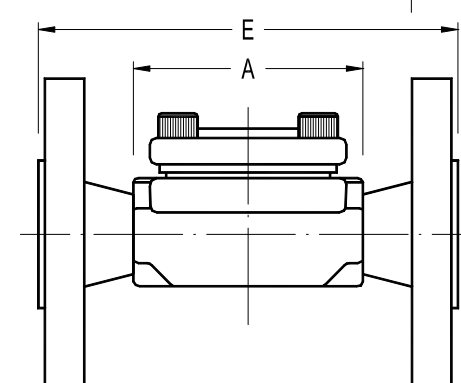
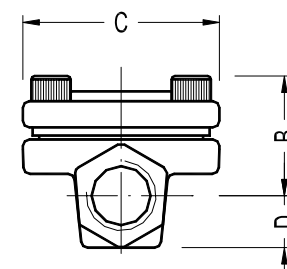
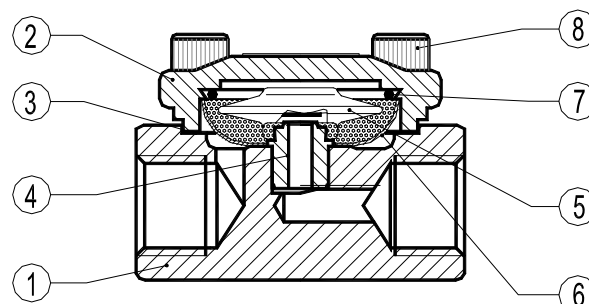
SIZES: DN ½” ; DN15

CONNECTIONS: Female screwed ISO 7/1 Rp (BS21)

Flanged EN 1092-1 PN40 or ANSI

INSTALLATION: Horizontal installation recommended,  
can be installed in any position.

PMA – Max. allowable pressure	21	bar
TMA – Max. allowable temperature	300	°C
PMO – Max. operating pressure	21	bar
TMO –Max. operating temperature	250	°C
How to order: i.e. TH21 DN ½” BSP		



MATERIALS		
POS.N r.	DESIGNATION	MATERIAL
1	Body	P250GH / 1.0460
2	Cover	P250GH / 1.0460
3	* Gasket	St.St./Graphite
4	* Valve seat	AISI304 / 1.4301
5	* Thermostatic element	Stainless steel
6	* Strainer screen	AISI304 / 1.4301
7	* Spring	AISI302 / 1.4300
8	Bolts	Steel 8.8

\* Available spare parts

SIZE DN	DIMENSIONS (mm)-Screwed					EN 1092-1 Flanges	
	A	B	C	D	WGT. Kgs	E	WGT. Kgs
15	70	35	60	15	0,7	130	2,2

FLOW RATE CAPACITY IN Kgs/h																
MODEL	SIZE	DIFFERENTIAL PRESSURE (bar)														
		0,2	0,3	0,5	1	1,5	2	3	4	6	8	10	13	15	20	21
TH21	1/2" -15	70	120	140	255	330	385	455	510	600	670	700	720	750	775	795
TH21LC	1/2" - 15	45	55	70	95	125	135	180	200	270	315	330	360	370	405	415

Capacities shown refer to condensate at 10°C below saturated steam temperature (standard type-S thermostat) .

Thermostats for 5° C type-H and 30° type-L, also available.

Capacities for cold condensate discharge at 20°C are two to three times greater.