

## BALANCED PRESSURE THERMOSTATIC STEAM TRAP Clean Steam Trap TSS 6

### DESCRIPTION

The TSS 6 all stainless steel thermostatic steam traps and air eliminators are specifically designed for use in reactors, sterilizers and distribution lines in clean and pure steam systems.

The small size makes it ideal for use with a wide variety of this equipment.

### MAIN FEATURES

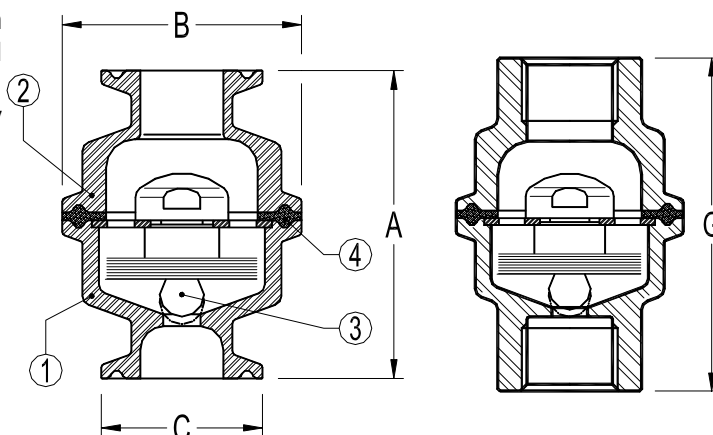
Modulating discharge.

Wide range of connections options

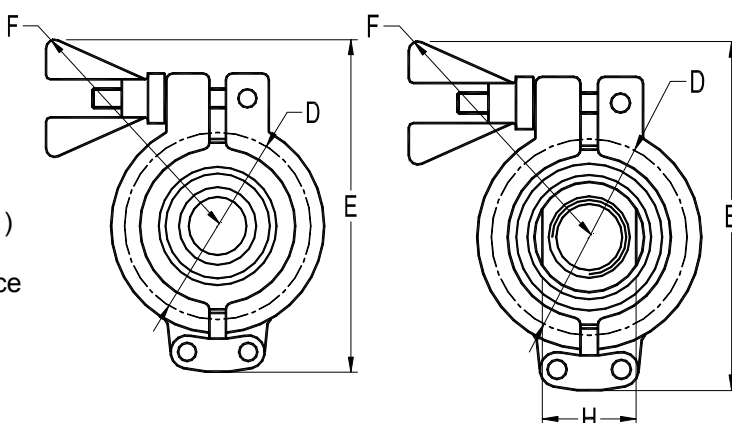
Excellent air discharge.

Simple and compact design.

Wetted parts surface finish of 0,8 micron Ra



- OPTIONS:** Welded body and different designs under request.
- USE:** Saturated steam
- AVAILABLE MODELS:** TSS 6
- SIZES:** 1/2", 3/4" and 1".
- CONNECTIONS:** Tri-clamp and BW  
Female screwed ISO 7/1 RP (BS21)
- INSTALLATION:** Vertical installation  
See IMI installation and maintenance instructions.



PMA	Max. allowable pressure	10 bar
TMA	Max. allowable temperature	177 °C
PMO	Max. operating pressure	6 bar
TMO	Max. operating temperature	165 °C

DIMENSIONS (mm)									
SIZE DN	A	B	C	D	E	F	G	H	WGT. Kgs
1/2"	65	50,5	25	50	93	77	74	27	0,7
3/4"	65	50,5	34	50	93	77	81	36	0,7
1"	65	50,5	50,5	50	93	77	95	40	0,8

MATERIALS		
POS.Nr.	DESIGNATION	MATERIAL
1	Body	AISI316L / 1.4404
2	Cover	AISI316L / 1.4404
3	* Thermostat	AISI316L / 1.4404
4	* Gasket	PTFE/TFM® Envelope gasket **
5	Clamp	Stainless steel

\* Available spare parts; \*\* FDA Approved

FLOW RATE CAPACITY IN Kgs/h											
MODEL	SIZE	DIFFERENTIAL PRESSURE (bar)									
		0,2	0,3	0,5	1	1,5	2	3	4	6	
TSS6	1/2" - 1"	90	135	200	400	500	700	900	1000	1400	

Capacities shown refer to condensate at 5°C below saturated steam temperature .

Capacities for cold condensate discharge at 20°C are around two times greater.