

## THERMOSTATIC STEAM TRAPS AND AIR ELIMINATORS TH 21 / 2 SS (Stainless steel) ( DN 1" DN 25 )

### DESCRIPTION

The TH 21/2SS series thermostatic steam traps and air eliminators are specifically designed for use on process equipment such as kettle cookers, sterilizers, food, chemical and laundry equipment.

Connections are female screwed or flanged.

### MAIN FEATURES

Modulating discharge.

Discharges condensate close to steam temperature.

Thermostats for different sub cooling (5°K to 30°K).

Excellent air discharge .

Operates on moderate superheated steam.

Built-in strainer.

OPTIONS: LC-low capacity

USE: Saturated steam.

### AVAILABLE

MODELS: TH21/2SS

SIZES: DN 1" ; DN 25

CONNECTIONS: Female screwed ISO 7/1 Rp (BS21)

Flanged EN 1092-1 PN40 or ANSI

INSTALLATION: Horizontal installation recommended,  
can be installed in any position.

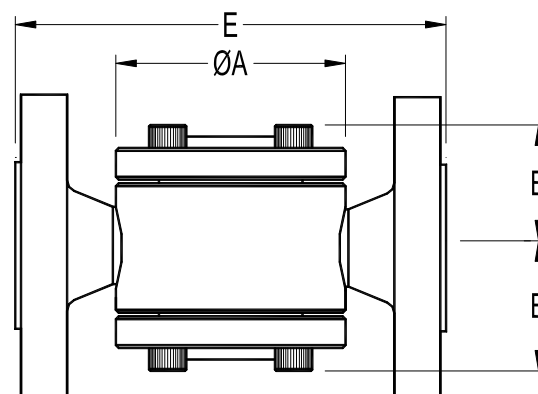
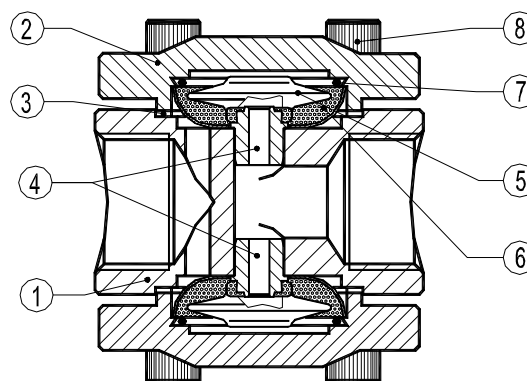
PMA – Max. allowable pressure 21 bar

TMA – Max. allowable temperature 300 °C

PMO – Max. operating pressure 21 bar

TMO –Max. operating temperature 250 °C

How to order: i.e. TH21/2SS DN 1" BSP



MATERIALS		
POS. Nr.	DESIGNATION	MATERIAL
1	Body	AISI316 / 1.4401
2	Cover	AISI316 / 1.4401
3	* Gasket	St.St./Graphite
4	* Valve seat	AISI304 / 1.4301
5	* Thermostatic element	Stainless steel
6	* Strainer screen	AISI304 / 1.4301
7	* Spring	AISI302 / 1.4300
8	Bolts	St. Steel A2-70

\* Available spare parts

DIMENSIONS (mm)-Screwed			EN 1092-1 Flanges		
SIZE DN	A	B	WGT. Kgs	E	WGT. Kgs
25	80	40	2,5	160	5,6

FLOW RATE CAPACITY IN Kgs/h																
MODEL	SIZE	DIFFERENTIAL PRESSURE (bar)														
		0,2	0,3	0,5	1	1,5	2	3	4	6	8	10	13	15	20	21
TH21/2SS	1" - 25	140	240	280	510	660	770	910	1020	1200	1340	1400	1440	1500	1550	1590

Capacities shown refer to condensate at 10°C below saturated steam temperature (standard type-S thermostat) .

Thermostats for 5° C type-H and 30° type-L, also available.

Capacities for cold condensate discharge at 20°C are two to three times greater.