

**PRESSURE REDUCING VALVE
DIRECT ACTING
PRV 25/2 SS – Stainless steel (barstock)**

DESCRIPTION

The ADCA PRV25/2SS series direct acting pressure reducing valves are designed for use on steam, compressed air and other gases.

They are suitable for reducing steam pressure at the point of use on laundry machines, dyeing, food industries, sterilizers, etc.

Connections are female screwed or flanged.

MAIN FEATURES

Compact design.

Bellows specially designed for high durability.

Built-in strainer.



OPTIONS: Regulating screw with top cap.

USE: Saturated steam, compressed air and other gases compatible with the construction.

AVAILABLE MODELS:
 PRV25/2SS – metal to metal seating
 PRV25/2SSG – soft valve
 PRW25/2SS – soft valve balanced

RECOMMENDED APPLICATIONS :
 PRV25/2SS – steam and compressed air
 PRV25/2SSG – steam and compressed air where tight off is required
 PRW25/2SS – water, compressed air

SIZES: 1/2", 3/4", 1" ; DN15 ,DN 20 and DN 25.

CONNECTIONS: Female screwed ISO7/1Rp(BS 21) .
 Flanged EN 1092-1 PN40 or ANSI.

INSTALLATION: Horizontal installation.
 An "Y" strainer should be provided upstream the valve.
 See IMI, installation and maintenance instructions.

CE MARKING (PED - European Directive 97/23/EC)	
PN 25	Category
DN 15 to 25	SEP - art. 3, paragraph3

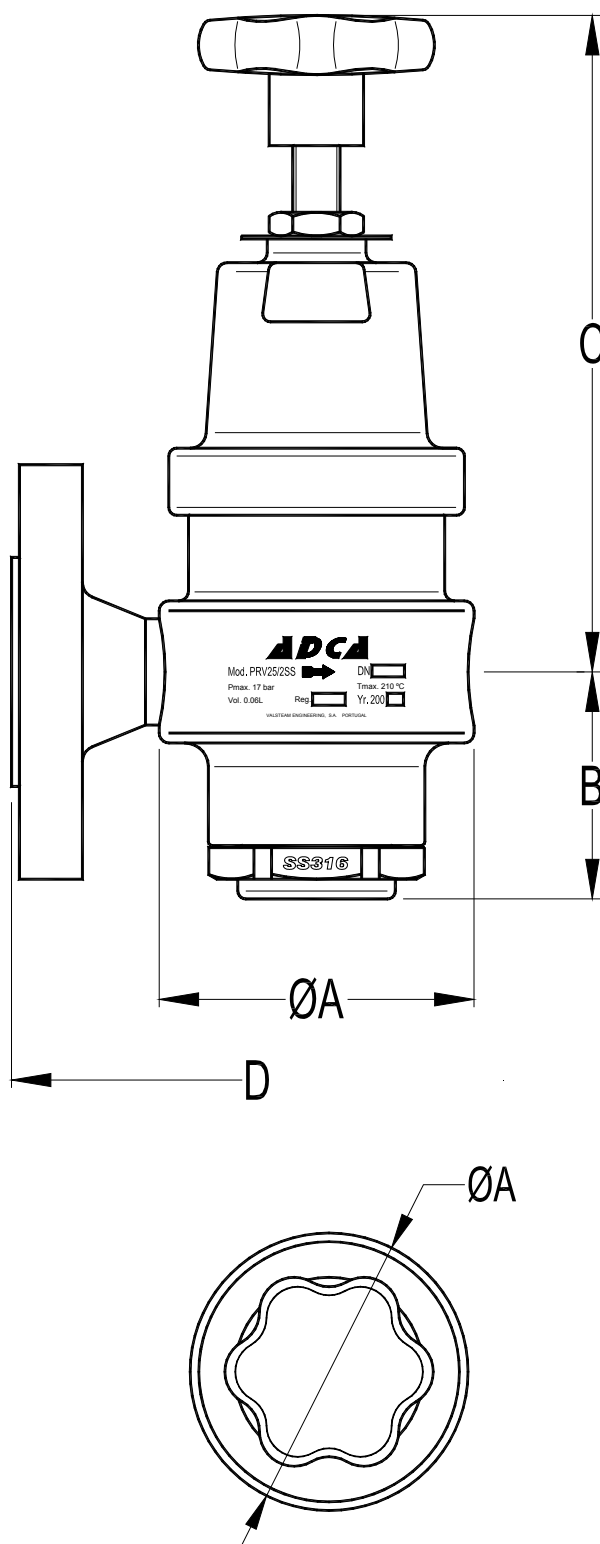
LIMITING CONDITIONS			
	PRV25/2SS	PRV25/2SSG	PRW25/2SS
Body design conditions	PN25	PN25	PN25
Max.upstream pressure	17 bar	17 bar	14 bar
Max.downstream pressure	8,6 bar	8,6 bar	8,6 bar
Min.downstream pressure	0,14 bar	0,14 bar	0,35 bar
Max.design temperature	210°C	180°C	75°C
Max.cold hydraulic test	38 bar	38 bar	38 bar
Max.reducing ratio	10:1	10:1	10:1

CAPACITIES (See selection table)			
Valve Size	15	20	25
KVs	1,7	2,6	3,1

PRESSURE RANGES				
Spring colour	Blue *	Yellow **	Green	Red
Red.Press. bar	0,35 - 1,7	0,14 - 1,7	1,4 - 4,0	3,5 - 8,6

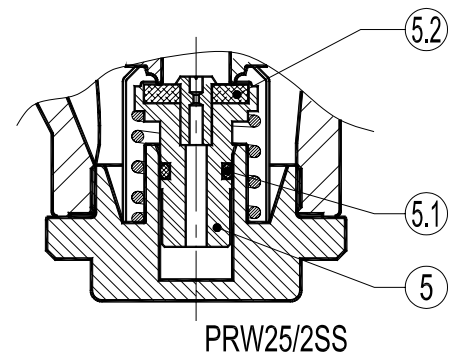
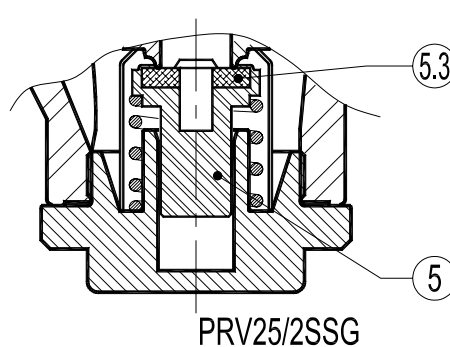
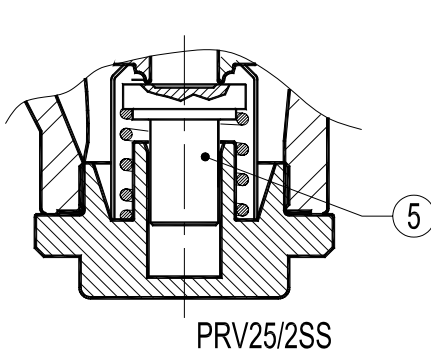
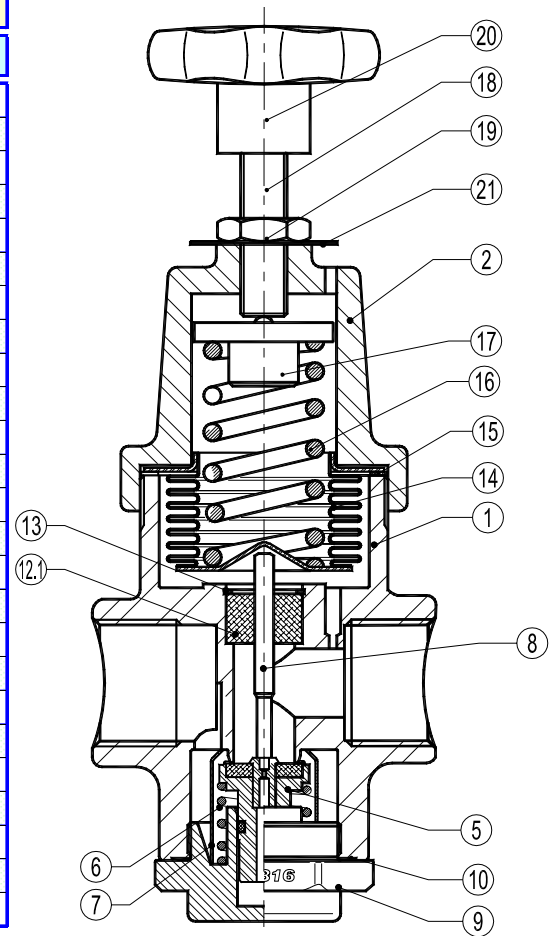
*Applicable only on the PRW ; ** Appl.only on the PRV
Where control spring ranges overlap, always use the lower range.

DIMENSIONS (mm)-Screwed						EN1092-1 Flanges		
SIZE DN	A	B	C	F	WGT. Kgs	D	E	WGT. Kgs
1/2"	80	57	188	74	3,2	130	47,5	4,6
3/4"	80	57	188	74	3,2	150	52,5	5,2
1"	90	60	198	74	3,7	160	57,5	6



MATERIALS		
POS.	DESIGNATION	MATERIAL
1	VALVE BODY	AISI 316 / 1.4401
2	COVER	AISI 316 / 1.4401
3	SEAT	AISI 316 (INTEGRAL)
4	-	-
5	*VALVE	HARDENED ST. STEEL
5.1	*O-RING	NBR
5.2	VALVE HEAD	NBR
5.3	*VALVE HEAD	PTFE/GRAPHITE
6	*VALVE RETURN SPRING	AISI 302 / 1.4300
7	*STRAINER SCREEN	AISI 304 / 1.4301
8	PUSHROD	AISI 316 / 1.4401
9	BOTTOM CAP	AISI 316 / 1.4401
10	*CAP GASKET	ST.ST./ GRAPHITE
11	-	-
12	-	-
12.1	*GUIDE BUSH	PTFE/GRAPHITE
13	*STOP RING	
14	*BELLOWS	AISI 316 TI / 1.4571
15	*BELLOWS GASKET	ST.ST./ GRAPHITE
16	*ADJUSTMENT SPRING	STEEL
17	TOP SPRING PLATE	BRASS
18	ADJUSTMENT SCREW	AISI 304 / 1.4301
19	LOCKNUT	AISI 304 / 1.4301
20	HANDWHEEL	PLASTIC
21	SPRING IDENT.PLATE	ALUMINIUM

* Available spare parts.





STEAM EQUIPMENT

STEAM CAPACITY TABLE (Kg/h)					COMPRESSED AIR CAPACITY TABLE (Nm ³ /h-0°C-1,013bar)					WATER CAPACITY TABLE (m ³ /h)							
INLET bar	OUTLET bar	SAT. STEAM			INLET bar	OUTLET bar	COMPRESSED AIR			D.P. bar	WATER						
		DN15	DN20	DN25			DN15	DN20	DN25		DN15	DN20	DN25				
2	0,2	33	53	64	2	0,2	45	72	86	1,5	2,1	3,18	3,8				
	1,2	57	87	104		1,2	77	117	140								
	1,6	38	59	71		1,6	51	80	96								
3	0,3	45	70	83	3	0,3	61	95	112					2	2,4	3,67	4,38
	1,2	76	116	138		1,2	103	157	186								
	2,2	61	93	111		2,2	82	126	150								
4	2,6	46	70	83	4	2,6	62	95	112	3	2,95	4,5	5,37				
	0,4	56	87	104		0,4	76	117	140					4	3,4	5,2	6,2
	1	66	102	121		1	89	138	163								
2,5	95	145	173	2,5	128	196	234										
5	3,5	57	87	104	5	3,5	77	117	140	5	3,8	5,8	6,93				
	0,5	68	105	125		0,5	92	142	169								
	2	91	139	166		2	123	188	224								
6	3	114	174	208	6	3	154	235	281					6	4,16	6,36	7,6
	4	85	130	155		4	115	176	209								
	0,6	79	122	145		0,6	107	165	196								
7	2	106	162	194	7	2	143	219	262	8	4,8	7,35	8,75				
	3	133	203	243		3	180	274	328								
	4	120	184	219		4	162	248	296								
8	0,7	91	139	167	8	0,7	123	188	225					12	5,8	9	10,7
	2	121	185	222		2	163	250	300								
	3,5	152	232	277		3,5	205	313	374								
9	5	132	201	240	9	5	178	271	324	10	1,1	184	284				
	0,8	102	157	187		0,8	138	212	252								
	2	137	210	250		2	185	284	338								
10	3,5	171	262	312	10	3,5	231	354	421					11	3	246	378
	5	161	247	294		5	217	333	397								
	6	142	217	259		6	192	293	350								
11	0,9	114	174	208	11	0,9	154	235	281	12	6	308	473				
	2,5	133	203	242		2,5	180	274	327								
	4	152	233	277		4	205	315	374								
12	5	190	291	347	12	5	257	393	468					13	8	267	408
	7	152	232	277		7	205	313	374								
	1	125	192	228		1	169	259	308								
13	3	146	224	266	13	3	197	302	359	15	1,2	200	306				
	4	167	256	305		4	225	346	412								
	6	209	320	381		6	282	432	514								
14	8	161	247	294	14	8	217	333	397					17	3	246	378
	1,1	136	210	249		1,1	184	284	336								
	3	182	280	333		3	246	378	450								
15	6	228	350	416	15	6	308	473	562	17	8	267	408				
	8	198	302	360		8	267	408	486								
	8,6	182	279	331		8,6	246	377	447								
16	1,2	148	227	270	16	1,2	200	306	365					17	6	308	471
	3	197	302	360		3	266	408	486								
	6	247	378	451		6	333	510	609								
17	8	228	349	416	17	8	308	471	562	17	8,6	293	448				
	8,6	217	332	396		8,6	293	448	535								
	1,3	159	244	291		1,3	215	329	393								
18	4	186	284	340	18	4	251	383	459					17	1,5	246	350
	6	212	325	388		6	286	439	524								
	7	266	407	486		7	359	549	656								
19	8,6	246	378	451	19	8,6	332	510	609	17	4	286	408				
	1,5	182	259	321		1,5	246	350	433								
	4	212	302	374		4	286	408	505								
20	6	243	345	427	20	6	328	466	576					17	8	410	585
	8	304	433	536		8	410	585	724								
	8,6	298	426	512		8,6	402	575	691								
21	1,7	205	279	333	21	1,7	277	377	450	17	6	321	439				
	4	238	325	386		4	321	439	521								
	6	273	372	441		6	369	502	595								
22	8	342	465	555	22	8	462	628	749					17	8,6	458	606
	8,6	339	449	541		8,6	458	606	730								