

DIAPHRAGM SENSING PRESSURE REDUCING VALVE PRV 30SS DN 1 1/2" – 2" ; DN40 – DN50

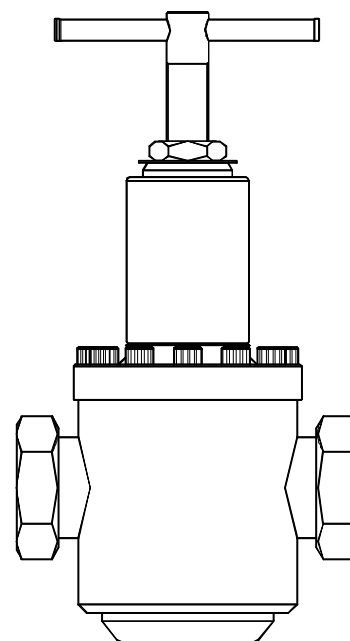
DESCRIPTION

The ADCA PRV30 series **direct acting, springloaded diaphragm sensing, balanced valve** pressure reducing valves, are designed for use on compressed air, water and other gases or liquids compatible with the materials of construction.

They are suitable for pressure reducing stations at the point of use on laundry machines, dyeing, food industries, sterilizers, etc.

MAIN FEATURES

- Compact design.
- Balanced valve.
- Machined from barstock materials.



OPTIONS:

Different soft valves for water and gases.
Relieving-Internal relief valve to allow reduce outlet pressure in a no-flow condition.
Built-in strainer.
Outlet 1/4" gauge connection on body.
Regulating screw with top cap.

USE:

Compressed air, water and other gases and liquids compatible with the construction.

AVAILABLE MODELS:

PRV30/SS – Stainless steel.

SIZES:

DN 1 1/2" and DN 2"
DN 40 and DN 50

CONNECTIONS:

Female screwed ISO7/1Rp(BS 21) or NPT.
Flanged EN 1092-1 PN40-PN63.
Special flanges upon request.

INSTALLATION:

Horizontal installation.
An "Y" strainer should be provided upstream the valve.
See IMI, installation and maintenance instructions.

ORDER

REQUIREMENTS :

Type of fluid
Maximum operating temperature
Inlet pressure and required outlet pressure
Capacity (maximum and minimum).

CAPACITIES		
Valve Size	40	50
KVs (m3/h)	12,7	13,7

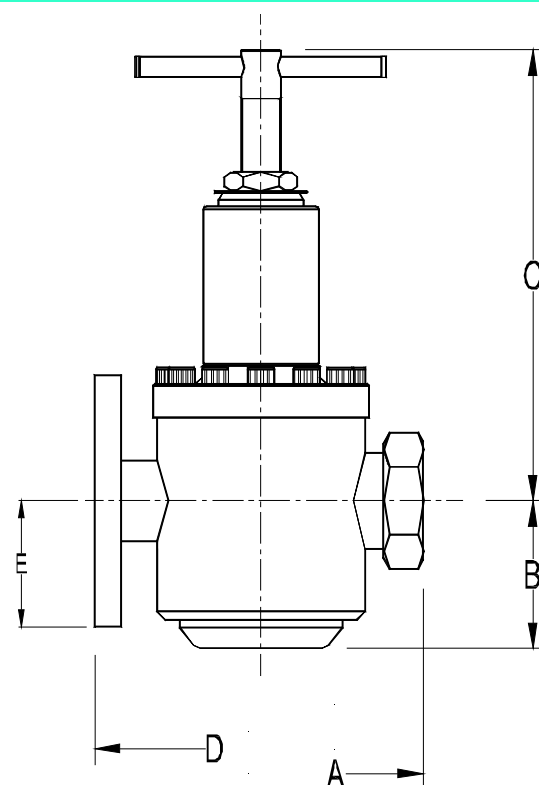
LIMITING CONDITIONS	
Valve model	PRV30SS
Body design conditions	PN 63
Max.upstream pressure	50 bar
Max.downstream pressure	15 bar
Min.downstream pressure	0,2 bar
Max.design temperature *	80 °C
Max.recommended reducing ratio	40:1

*Other on request.

CE MARKING (PED - European Directive 97/23/EC)	
PN 63	Category
DN 40-50	1 (CE Marked)

DIMENSIONS (mm)-Screwed					EN 1092-1 Flanges		
SIZE DN	A	B	C	WGT. Kgs	D*	E	WGT. Kgs
1 1/2"-40	195	90	270	13	200	75	17,8
2"-50	205	90	270	13,4	230	82,5	18,5

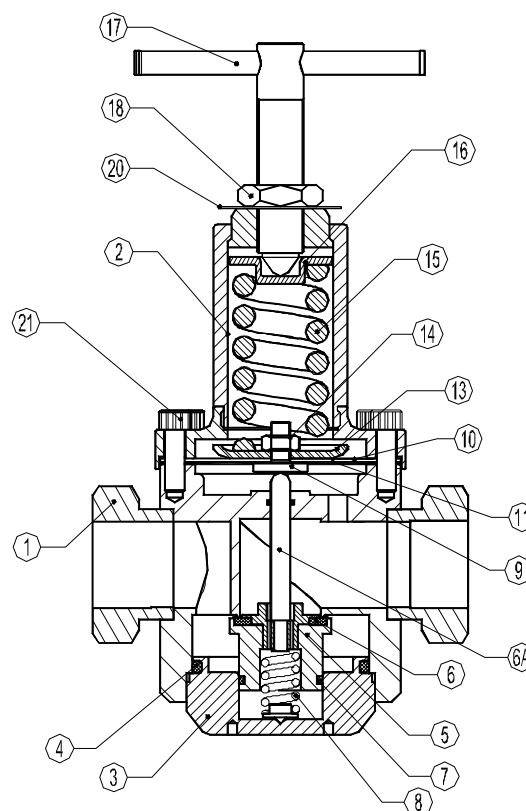
* Different lengths on request.



MATERIALS		
POS.	DESIGNATION	MATERIAL
1	VALVE BODY	AISI316 / 1.4401 ; CF8M / 1.4408
2	TOP COVER	AISI316 / 1.4401 ; CF8M / 1.4408
3	SEAT COVER	AISI316 / 1.4401 ; CF8M / 1.4408
4	* O-RING	NBR
5	* PISTON VALVE	AISI316 / 1.4401
6	* VALVE HEAD	NBR-EPDM-PTFE,etc
6A	PUSHROD	AISI316 / 1.4401
7	* O-RING	NBR-EPDM-PTFE,etc
8	* VALVE SPRING	AISI302 / 1.4300
8A	* STRAINER SCREEN	AISI304 / 1.4301
9	PUSHER DISC	AISI304 / 1.4301
10	* DIAPHRAGM	PTFE
11	* DIAPHRAGM	**NBR
13	SPRING PLATE	AISI304 / 1.4301
14	NUT	ST.STEEL A2-70
15	* ADJUSTMENT SPRING	SPRING STEEL
16	TOP SPRING PLATE	BRASS
17	ADJUSTMENT SCREW	AISI304 / 1.4301
18	LOCKNUT	ST.STEEL A2-70
20	SPRING IDENT. PLATE	ALUMINIUM
21	BOLTS	ST.STEEL A2-70

* Available spare parts. ** Stainless steel on request .

Remarks: All valves has a serial number. In case of non-standard valves this number must be supplied if spare parts are ordered.





ORDERING CODES PRV30SS										
Valve Model	R30	.	1	W	N	C	R			15
PRV30SS - Diaphragm sensing	R30									
Outlet spring range										
N°1 - 0,2 to 1,5 bar			1							
N°2 - 0,3 to 3 bar			2							
N°3 - 0,8 to 8 bar			3							
N°4 - 1,5 to 15 bar			4							
Aplication										
Water				W						
Gases				G						
Oxygen (Degreased)				O						
Seal material										
NBR					N					
EPDM					E					
PTFE					T					
FPM/VITON					V					
Maximum inlet pressure										
30 bar						C				
50 bar a)						D				
Diaphragm material										
Stainless steel (Non-relieving)							S			
Rubber/PTFE (Relieving or non-relieving)							R			
Gauge port 1/4"										
Without gauge ports								(1)		
Gauge port on the left side (Related to the flow direction)								4		
Gauge port on the right side (Related to the flow direction)								3		
Gauge ports on both sides								2		
Relieving										
Non-relieving								(1)		
Relieving (Only for non-dangerous gases)								R		
Pipe connection										
Threaded BSP ISO 7/1 Rp									A	
Threaded NPT ANSI B1.20.1									C	
Socket weld SW ANSI B16.11									H	
Butt weld BW ANSI B16.25									I	
Flanged EN1092-1 PN40									N	
Flanged EN1092-1 PN63									O	
Flanged ANSI B16.5 150#									U	
Flanged ANSI B16.5 300#									V	
Flanged ANSI B16.5 600#									W	
Size										
DN 1/2" or DN 15										15
DN 3/4" or DN 20										20
....										25
										32
										40
										50
Special valves / Extras b)										E

(1) Omitted if a standard valve is requested

a) The 50 bar inlet available only with spring N°4

b) Full description or additional codes has to be added in case of non-standard combination.