

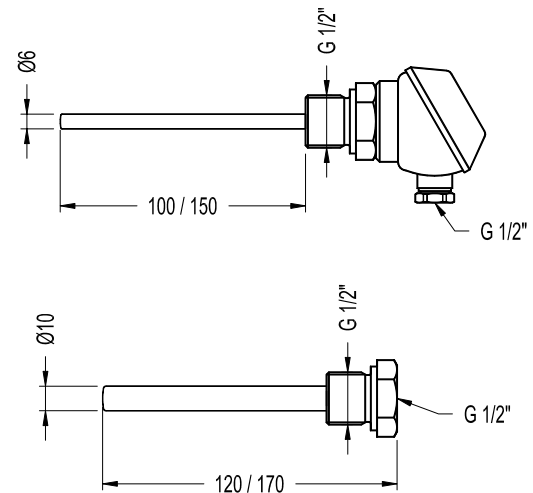
RESISTANCE THERMOMETER FOR LIQUID MEDIA WITH TERMINAL HEAD FORM B P t 100

DESCRIPTION

Screw-in resistance thermometer with terminal head.

MAIN FEATURES

Terminal head : form B, DIN 43 729
 Max.ambient temperature : 100 °C
 Max.media temperature : 400 °C
 Connection : R ½"
 Immersion length : 100 and 150mm.



DIRECT SOLENOID VALVE SV32C

DESCRIPTION

3/2 Way solenoid valves are available as single station units. Standard valve is normally close and comes with one plug .

MAIN FEATURES

Port size : ¼"
 Fluid :compressed air (filtered through 40 microns filter elements)
 Sectional area: 1,5mm²
 Operating : Inner spring return
 Max.Pressure : 10 bar
 Temperature range: -10 °C to 60 °C
 Coil type : DIN
 Protection : IP65 (DIN 40 050)
 Standard voltage : 220VAC, 24 VDC

