

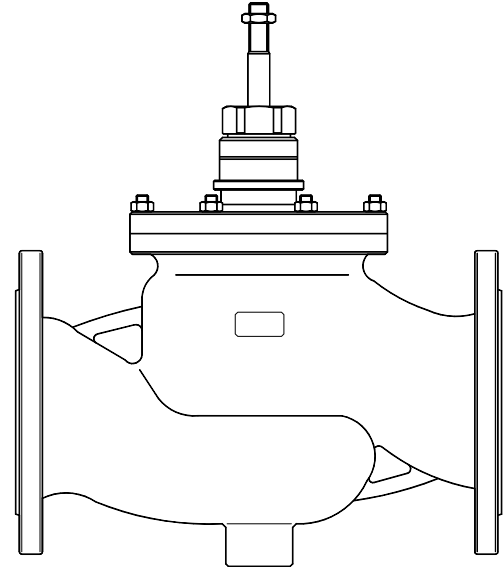
“ADCATROL” PNEUMATIC CONTROL VALVES V25 (V25 globe control valves suitable for linear actuators PA and EL series)

DESCRIPTION

The V25 control valves are single seated, two-way body constructed with in-line straight connections. The valves can be supplied with PA pneumatic actuator-rubber diaphragm and multi-springs DA-direct action (air to close) or RA-reverse action (air to open) or they can also be supplied with EL electric actuators.. The V25 valves have been designed to assure an accurate control in any process condition. Their wide application ranges allows to use this valve with the most common process fluids such as water, superheated water, steam, air, gas and other non corrosive fluids.

MAIN FEATURES

Single seated, two ways, direct or reverse action valve.
Valve top flange permanently attached to the body, removal is unnecessary for replacing the actuator.
Metal to metal or soft sealing.



<p>OPTIONS:</p> <ul style="list-style-type: none"> Perforated low noise plug Bellows sealed Stainless steel construction. <p>USE:</p> <ul style="list-style-type: none"> Saturated and superheated steam. Hot and superheated water. Air, gases and other noncorrosive fluids. <p>AVAILABLE MODELS:</p> <ul style="list-style-type: none"> V25G - PN16 (EN-GJS-400-18-LT) V25S - PN25-PN40 (GP240GH) <p>VALVE SIZES:</p> <p>DN125 to DN300</p> <p>CONNECTIONS:</p> <p>Flanged EN1092-1/-2 PN16 - PN40</p> <p>ACTUATORS:</p> <p>PA or EL series</p>	<p>BONNET :</p> <p>From -5°C to +220°C (standard) Finned for temperature >220°C</p> <p>STEM SEALING:</p> <p>PTFE/GR V-Rings - up to 220°C (Standard bonnet) Graphite - up to 400°C (Finned bonnet) Stainless steel bellows</p> <p>PLUG CHARACTERISTICS:</p> <p>EQP - Equal percentage PL - Linear PT - On-Off</p> <p>PLUG DESIGN :</p> <p>Parabolic V-port Perforated low noise</p>
--	--

HOW TO SELECT: Never size the valve according to the pipe diameter in which it has to be fitted but according to the required actual flow of steam or water. Refer to valve calculation data sheet or consult the factory.

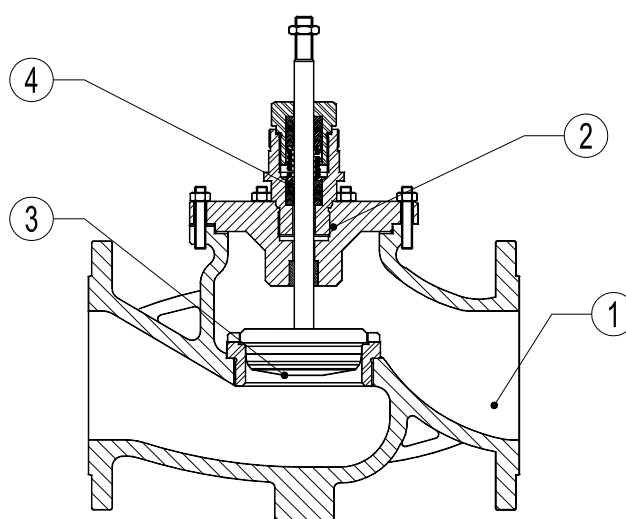
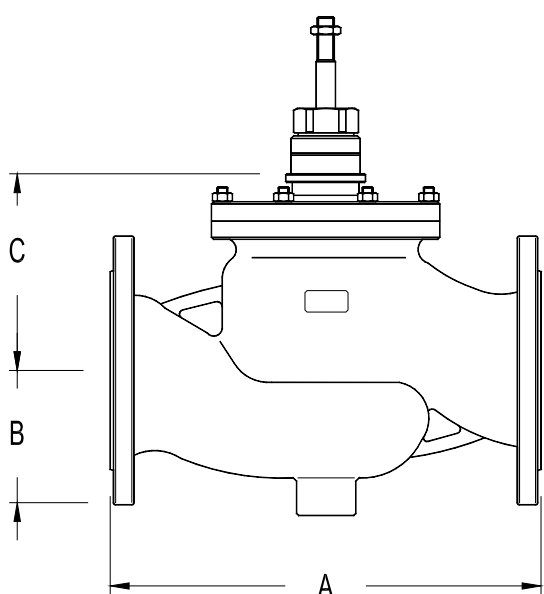
PORT: Full port as standard
Reduced port on request.

CE MARKING (PED - European Directive 97/23/EC)			
PN 16	PN 25	PN 40	Category
DN15 to DN50	DN15 to DN40	DN15 to DN32	SEP - art. 3, paragraph3
DN65 to DN200	DN50 to DN125	DN40 to DN80	1 (CE Marked)
DN250 to DN300	DN150 to DN200	DN100 to DN125	2(CE Marked)
/	DN250 to DN300	DN150 to DN300	3(CE marked)

VALVE BODY LIMITING CONDITIONS V25G - PN16		VALVE BODY LIMITING CONDITIONS V25S - PN25		VALVE BODY LIMITING CONDITIONS V25S - PN40	
ALLOWABLE PRESSURES	RELATED TEMPERATURE	ALLOWABLE PRESSURES	RELATED TEMPERATURE	ALLOWABLE PRESSURES	RELATED TEMPERATURE
16 bar	-10 /120° C	25 bar	-10 /50° C	40 bar	-10 /50° C
14,7 bar	200 °C	19,4 bar	200 °C	30,2 bar	200 °C
13,9 bar	250 °C	17,8 bar	250 °C	25,8 bar	300 °C
12,8 bar	300 °C	16,1 bar	300 °C	24 bar	350 °C
11,2 bar	350 °C	15 bar	350 °C	23,1 bar	400 °C

Note: Maximum temperature limited to the valve packing selected.

Valves with soft seat , maximum allowable temperature : 200°C



DIMENSIONS - VALVE BODY				
DN	A (mm)	B (mm)	C (mm) BONNET	
			STANDARD	EXTENDED
125	400	135	183	580
150	480	150	200	595
200	600	203	262	-
250	730	253	346	-
300	850	296	395	-

Note: Consult factory for certified dimensions.

MATERIALS			
POS.	DESIGNATION	MATERIAL V25G	MATERIAL V25S
1	Valve Body	EN-GJS-400-18-LT	GP-240-GH /A216WCB
2	Bonnet	CF8 / C40	CF8 / C40
3	Trim	Stainless steel	Stainless steel
4	Standard packing	PTFE/GR	PTFE/GR

VALVE STROKE mm					
	SIZES				
	DN125	DN150	DN200	DN250	DN300
Stroke	40	40/50	50/80	80	80

Perforated plugs and on-off valves may have different strokes, please see IS PV10.00 E or consult factory.

FLOW RATE COEFFICIENTS					
	SIZES				
	DN125	DN150	DN200	DN250	DN300
Kvs	230,6	316,1	590	820	1030

Kvs in m³/h , see data sheet IS PV10.00 E ;
For conversion Kvs = Cv(US) x 0,855

Valves DN125 and above can be supplied with pneumatic actuators PA or EL series electric actuators. Positioners, transmitters, limit switches and special executions can be supplied under request.