

**“ADCATROL” INTERMITTENT BLOWDOWN VALVES
VPA 26
(Fabricated steel)**

DESCRIPTION

The VPA26 blowdown valve was specially designed for application on steam boilers removing the concentrations of solids avoiding boiler damages, unstable water level control and other typical problems.

The valves are provided with a diaphragm actuator suitable for compressed air motive fluid.

The opening signal is supplied by an automatic intermittent control unit or manually (optional).

Connections are flanged or threaded on request.

OPERATION

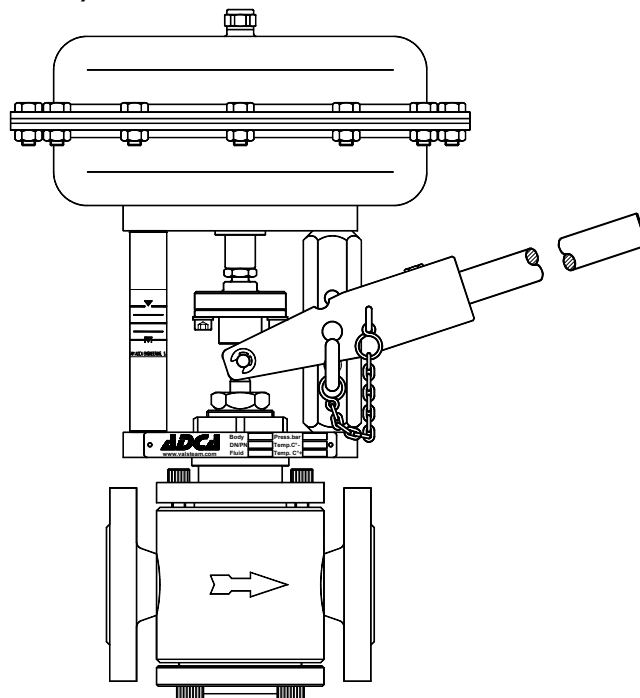
The valve can be operated manually or using a pneumatic actuator. Valve aperture depends from the boiler manufacturer specification (example: once a day during five seconds).

MAIN FEATURES

High quality hardened valve and seat.

Manual or automatic control.

Can be locked in the open position if supplied with the manual operation lever.



- OPTIONS:**
- Air filter regulator
 - Solenoid valve with cycling timer .
 - Mechanical limit switch
 - Water powered actuator
 - Stainless steel construction.
- USE:** Intermittent blowdown of steam boilers.

AVAILABLE MODELS: VPA 26

VALVE SIZES: DN15 to DN50

CONNECTIONS: Flanged EN 1092-1 or ANSI

ACTUATORS: PA-205; PA-280.

ACTUATOR CONN: 1/4" NPT-F

VALVE BODY LIMITING CONDITIONS VPA26	
ALLOWABLE PRESSURES	RELATED TEMPERATURE
40 bar	-10 /50° C
33,3 bar	200 °C
30,4 bar	250 °C
27,6 bar	300 °C

MAX. AIR/WATER SUPPLY PRESS.: 3,5 bar

AMBIENT TEMPERATURE: -20°C ...+70°C

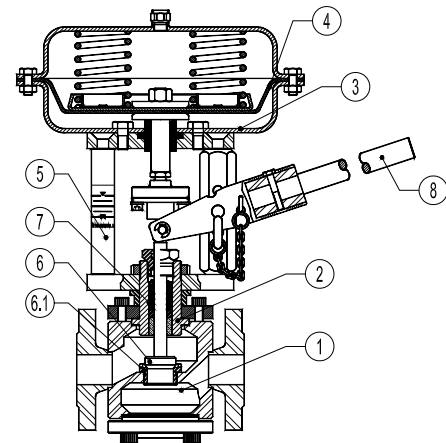
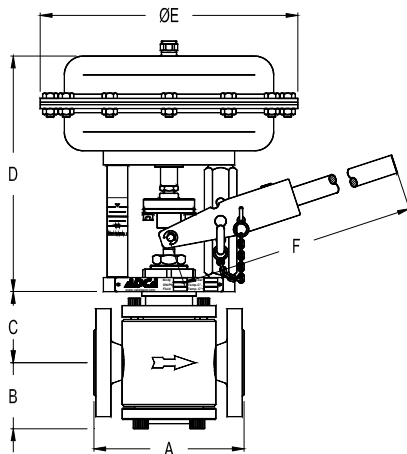
STEM SEALING: Graphite - up to 300°C

PLUG TYPES: On-Off (PT)

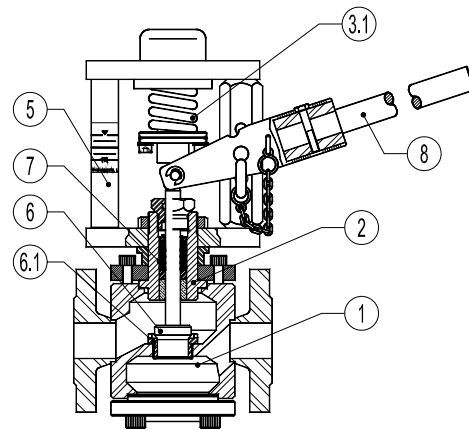
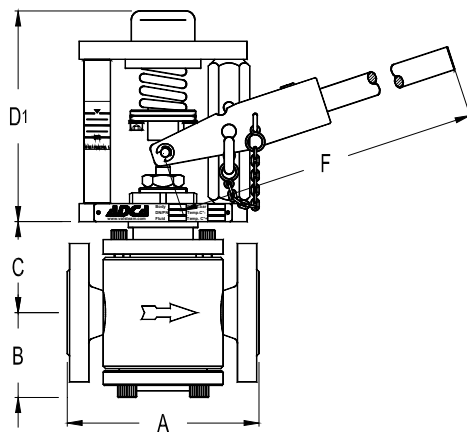
PORT: Full port

HOW TO SELECT: Never size the valve according to the pipe diameter in which it has to be fitted but according to the required actual flow of steam or water. Refer to valve calculation data sheet or consult the factory.

CE MARKING (PED - European Directive 97/23/EC)	
PN 40	Category
DN15 to DN32	SEP - art. 3, paragraph3
DN40 to DN50	1 (CE Marked)



VPA26 – with pneumatic actuator and manual operation



VPA26 – manual operation only

DIMENSIONS (mm) - VALVE BODY							
DN	A	B	C	D1	F	* WGT. Kgs	**WGT Kgs
15	130	71	75	175	380	22	19
20	150	71	75	175	380	22	19
25	160	71	75	175	380	22	19
32	180	75	83	175	380	26	23
40	200	82	97	175	650	30	28
50	230	97	100	175	650	40	38

* Valve with pneumatic actuator

** Valve with manual lever only

MATERIALS		
POS.	DESIGNATION	MATERIAL
1	Valve Body	Steel S355J2G3 / 1.0570
2	Bonnet	CF8 / 1.4308
3	* Actuator	Steel Fe410.1/St.Steel
3.1	* Spring	Spring Steel
4	* Diaphragm	NBR 70
5	Yoke	Carbon Steel/St.Steel
6	* Valve Plug	Hardened St. Steel
6.1	* Valve Seat	Hardened St. Steel
7	Packing	Graphite
8	Valve Lever	Stainless steel / 1.4301

* Available spare parts.

DIMENSIONS - ACTUATOR			
Type	ø E (mm)	D (mm)	
		DN15-100 DA/RA	DN125-200 DA
PA-205	210	235	N/A
PA-280	275	240	N/A

FLOW RATE COEFFICIENTS						
	SIZES					
	DN15	DN20	DN25	DN32	DN40	DN50
Kv	3,8	5,1	9,4	15,4	22,2	40,1

Kv - flowrate in m³/h with 1 bar of differential pressure

VALVE STROKE IN mm						
	SIZES					
	DN15	DN20	DN25	DN32	DN40	DN50
Stroke	12	12	12	12	12	12

MAX. PERMISSIBLE PRESS.DROP IN bar - Normally closed valve (fluid to close) - Reverse action actuator (air signal to open)							
ACTUATOR (Pressure)	MIN. AIR PRESSURE	SIZES					
		DN15	DN20	DN25	DN32	DN40	DN50
PA-205 (0 - 1 bar)	3,5 bar	25	25	25	25	25	15
PA-280 (0 - 1 bar)		—	—	—	—	—	25

Important:

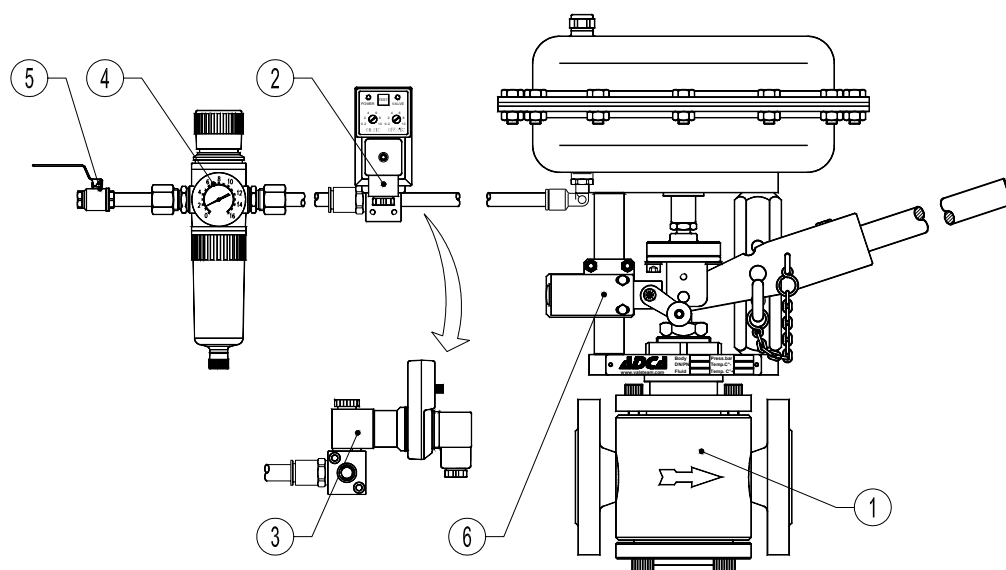
The pressure drop values are referred to closed valves.

For valve sizes DN65 and above please consult.

Special spring drops available on request.

The pressure drop values must be used within the body rating limits.

TYPICAL INSTALLATION



Position	Designation
1	VPA26 Blowdown Valve
2	ADCA Digital Timer plus Connector
3	ADCA Solenoid Valve 3/2
4	ADCA P10 Air Filter Regulator
5	Ball Valve
6	Limit Switch