

“ADCATROL” INTERMITTENT BLOWDOWN VALVES VPA 26 S (Cast steel)

DESCRIPTION

The VPA26S blowdown valve was specially designed for application on steam boilers removing the concentrations of solids avoiding boiler damages, unstable water level control and other typical problems.

The valves are provided with a diaphragm actuator suitable for compressed air motive fluid.

The opening signal is supplied by an automatic intermittent control unit or manually (optional).

Connections are flanged .

OPERATION

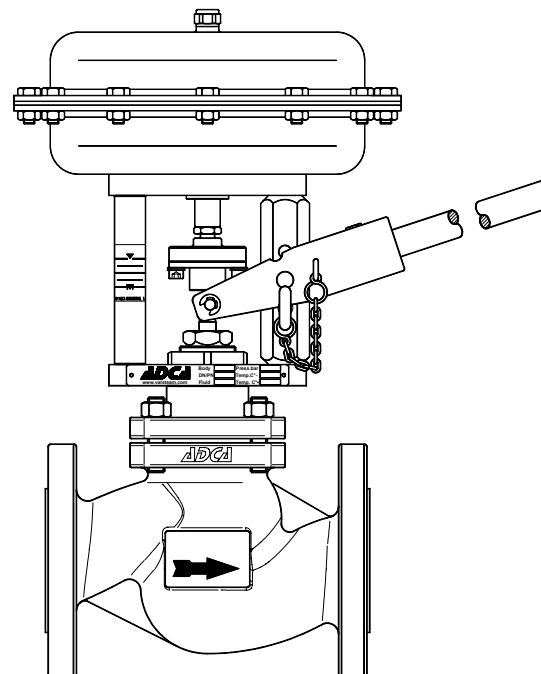
The valve can be operated manually or using a pneumatic actuator. Valve aperture depends from the boiler manufacturer specification (example: once a day during five seconds).

MAIN FEATURES

High quality hardened valve and seat.

Manual or automatic control.

Can be locked in the open position if supplied with the manual operation lever.



OPTIONS:

- Air filter regulator
- Solenoid valve with cycling timer .
- Mechanical limit switch
- Water powered actuator
- Stainless steel construction.

USE: Intermittent blowdown of steam boilers.

AVAILABLE MODELS: VPA 26S

VALVE SIZES: DN20 to DN50

CONNECTIONS: Flanged EN 1092-1

ACTUATORS: PA-205; PA-280.

ACTUATOR CONN: 1/4" NPT-F

HOW TO SELECT: Never size the valve according to the pipe diameter in which it has to be fitted but according to the required actual flow of steam or water. Refer to valve calculation data sheet or consult the factory.

VALVE BODY LIMITING CONDITIONS VPA26S - PN25		VALVE BODY LIMITING CONDITIONS V26S - PN40	
ALLOWABLE PRESSURES	RELATED TEMP.	ALLOWABLE PRESSURES	RELATED TEMP.
25 bar	-10 /50° C	40 bar	-10 /50° C
19,4 bar	200 °C	30,2 bar	200 °C
17,8 bar	250 °C	25,8 bar	250 °C
16,1 bar	300 °C	24 bar	300 °C
15 bar	350 °C	23,1 bar	400 °C

MAX. AIR/WATER SUPPLY PRESS.: 3,5 bar

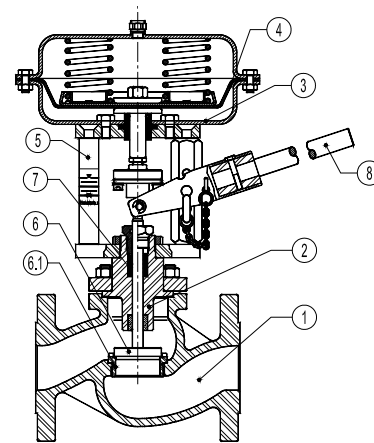
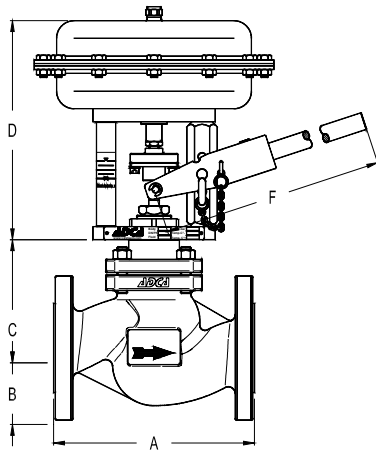
AMBIENT TEMPERATURE: -20°C ...+70°C

STEM SEALING: Graphite - up to 400°C

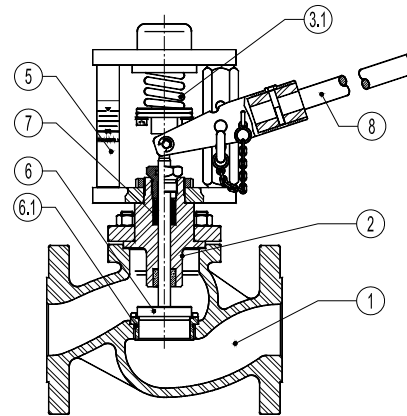
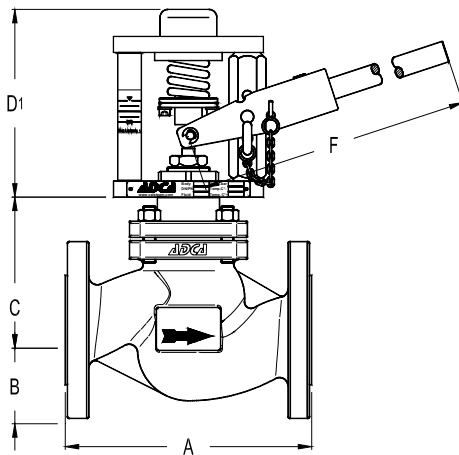
PLUG TYPES: On-Off (PT)

PORT: Full port

CE MARKING (PED - European Directive 97/23/EC)	
PN 25	Category
DN20 to DN40	SEP - art. 3, paragraph3
DN50	1 (CE Marked)



VPA26S– with pneumatic actuator and manual operation



VPA26S– manual operation only

DIMENSIONS (mm) - VALVE BODY

DN	A	B	C	D1	F	* WGT. Kgs	**WGT Kgs
20	150	53	80	175	380	15	12
25	160	58	85	175	380	16	13
32	180	70	90	175	380	20	17
40	200	75	95	175	650	25	22
50	230	83	105	175	650	34	31

* Valve with pneumatic actuator

** Valve with manual lever only

FLOW RATE COEFFICIENTS

	SIZES					
	DN15	DN20	DN25	DN32	DN40	DN50
Kvs	-	6	7,5	11	24	30

VALVE STROKE IN mm

	SIZES					
	DN15	DN20	DN25	DN32	DN40	DN50
Stroke	-	12	12	12	12	12

MATERIALS

POS.	DESIGNATION	MATERIAL
1	Valve Body	A216 WCB / 1.0619
2	Bonnet	CF8 / 1.4308
3	* Actuator	Steel Fe410.1/St.Steel
3.1	* Spring	Spring Steel
4	* Diaphragm	NBR 70
5	Yoke	Carbon Steel/St.Steel
6	* Valve Plug	Hardened St. Steel
6.1	* Valve Seat	Hardened St. Steel
7	Packing	Graphite
8	Valve Lever	Stainless steel / 1.4301

* Available spare parts.

DIMENSIONS - ACTUATOR

Type	ø E (mm)	D (mm)	
		DN15-100 DA/RA	DN125-200 DA
PA-205	210	235	N/A
PA-280	275	240	N/A

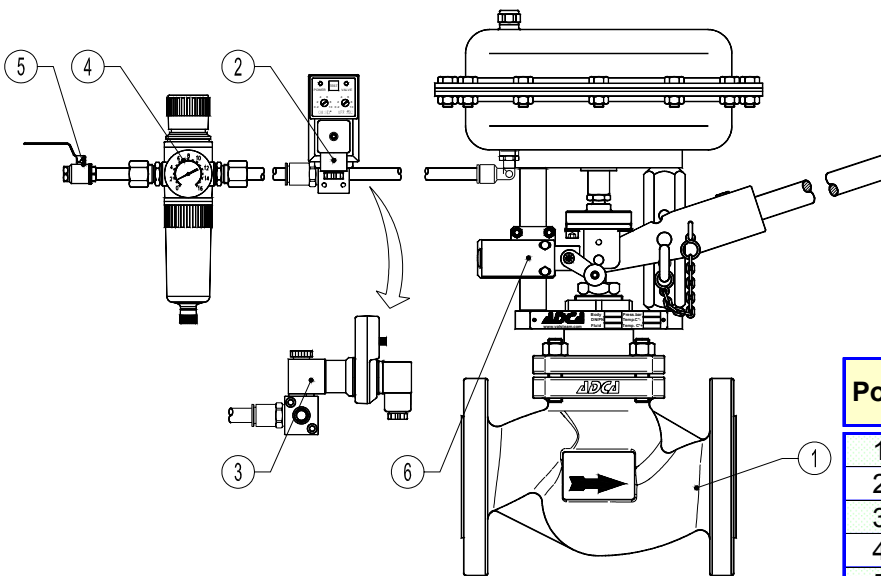
**MAX. PERMISSIBLE PRESS.DROP IN bar - Normally closed valve
(fluid to close) - Reverse action actuator (air signal to open)**

ACTUATOR (Pressure)	MIN. AIR PRESSURE	SIZES					
		DN15	DN20	DN25	DN32	DN40	DN50
PA-205 (0 - 1 bar)	3,5 bar	—	25	25	25	25	15
PA-280 (0 - 1 bar)	3,5 bar	—	—	—	—	—	25

Important:

The pressure drop values are referred to closed valves.
For valve sizes DN65 and above please consult.
Special spring drops available on request.
The pressure drop values must be used within the body rating limits.

TYPICAL INSTALLATION



Pos.	Designation
1	VPA26S Blowdown Valve
2	ADCA Digital Timer plus Connector
3	ADCA Solenoid Valve 3/2
4	ADCA P10 Air Filter Regulator
5	Ball Valve
6	Limit Switch

