

## COMPRESSED AIR BALL FLOAT TRAPS FA 16 SS (Stainless steel)

### DESCRIPTION

FA 16 SS is a fully automatic ball float trap extremely compact in dimension and light in weight, specially design for draining water from compressed air lines.

Applications on aftercoolers, separators and compressed air mains.

Connections are female screwed .

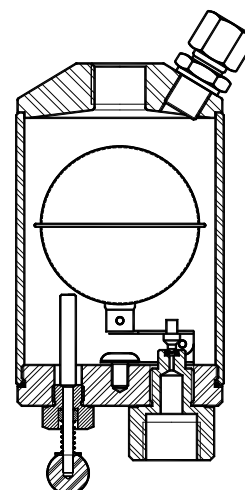
### MAIN FEATURES

Corrosion-resistant.

Replaceable internal parts.

Modulating discharge

Unaffected by sudden or wide load and pressure changes.



- OPTIONS:** Hand purging valve.  
**USE:** Cold and hot water systems.  
**AVAILABLE MODELS:** FA16SS  
**SIZES:** DN 1/2" and 3/4".  
**CONNECTIONS:** Inlet 1/2" or 3/4" vertical (top to bottom)  
 Outlet 1/2" vertical.  
**INSTALLATION:** Female screwed ISO 7/1Rp(BS21)  
 Vertical installation. It must be installed absolutely vertically at the points in the plant where the condensate tends to collect .  
 The drain should be piped to a safe position.  
 See IMI installation and maintenance instructions.

PMA – Max.allowable pressure	16 bar
TMA – Max.allowable temperature	250 °C
PMO – Max.operating pressure	14 bar
TMO – Max.operating temperature	180 °C

APPLICATION LIMITS	
Min.Liquid specific weight	0,75 Kg/dm3
Maximum working dif. pressure	14 bar

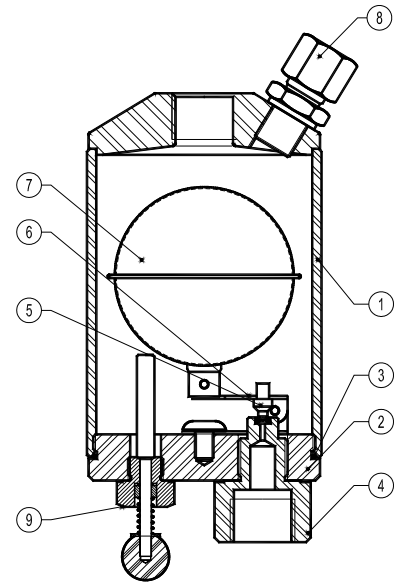
FLOW RATE CAPACITY IN Kg / h														
MODEL	SIZE	DIFFERENTIAL PRESSURE (bar)												
		0,5	1	1,5	2	3	4	6	7	8	9	10	12	14
FA 16SS	1/2"-3/4"	120	145	180	190	230	250	300	330	340	360	380	400	430

MATERIALS		
POS.Nr.	DESIGNATION	MATERIAL
1	Body	CF8M / 1.4408 ; AISI316 / 1.4401
2	Cover	CF8M / 1.4408 ; AISI316 / 1.4401
3	* O-ring	NBR
4	* Seat	AISI 316 / 1.4401
5	* Valve	VITON
6	* Lever	AISI 304 / 1.4301
7	* Float	AISI 304 / 1.4301
8 a)	Compression fitting	Fe / Zn 12 - ISO 2081
9 b)	Hand purging valve	AISI 304 / 1.4301

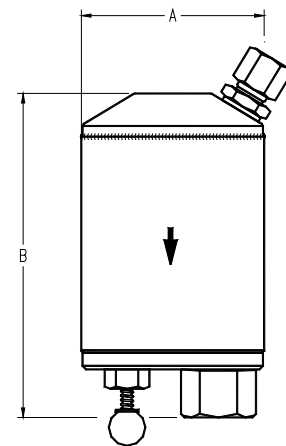
\*Available spare parts.

a) 1/4" x 8 mm compression fitting

b) Hand purging valve



DIMENSIONS (mm)			
SIZE DN	A	B	WGT. Kgs
1/2"	78	152	1,6
3/4"	78	152	1,6



EXAMPLES OF INSTALATION

