

AIR ELIMINATORS FOR WATER SYSTEMS AE 16 SS (Stainless steel)

DESCRIPTION

The AE16SS stainless steel air eliminator removes air from HVAC systems and is also suitable for non corrosive and/or dangerous liquids providing that their specific weight is not less than 0,75 Kg/dm³.

This ball float type automatic air eliminator can be used in combination with other air elimination and separation systems or directly applied at high points in the piping.

Connections are female screwed.

MAIN FEATURES

Corrosion-resistant.

Replaceable internal parts.



- USE:** Cold and hot water systems.
- AVAILABLE MODELS:** AE16SSE (EPDM valve)
AE16SSV (VITON valve)
- SIZES:** DN 1/2" and 3/4".
- CONNECTIONS:** Inlet 1/2" or 3/4" vertical.
Outlet 1/2" vertical.
Female screwed ISO 7/1Rp(BS21)
- INSTALLATION:** Vertical installation. It must be installed absolutely vertically at the points in the plant where the air tends to collect. The drain should be piped to a safe position. See IMI installation and maintenance instructions.

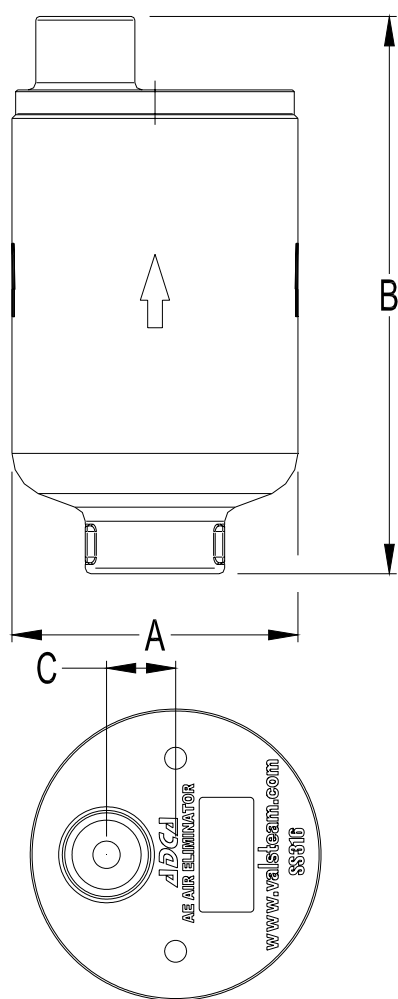
- PMA – Max.allowable pressure 16 bar
TMA – Max.allowable temperature 250 °C
PMO – Max.operating pressure 14 bar
TMO
Max.operating temperature (EPDM valve) 130 °C
Max.Operating temperature (VITON valve) 180 °C

APPLICATION LIMITS	
Min.Liquid specific weight	0,75 Kg/dm ³
Maximum working dif. pressure	12 bar

FLOW RATE CAPACITY IN N l/min												
MODEL	SIZE	DIFFERENTIAL PRESSURE (bar)										
		0,5	1	2	3	4	5	6	7	8	10	12
AE16SS	1/2"-3/4"	45	65	95	125	165	185	225	263	290	365	425

Capacities at a standard atmospheric pressure of 1bar and 20°C.

If the temperature differs from 15°C, the discharge capacity can be corrected by multiplying it by: $\frac{288}{273 + T}$, where T is the actual temperature in °C.



DIMENSIONS (mm)				
SIZE DN	A	B	C	WGT. Kgs
1/2"	78	152	19	1,5
3/4"	78	152	19	1,5

MATERIALS		
POS.Nr.	DESIGNATION	MATERIAL
1	Body	CF8M / 1.4408
2	Cover	CF8M / 1.4408
3	* O-ring	NBR
4	* Seat	AISI 316 / 1.4401
5	* Valve	VITON or EPDM
6,8	* Lever	AISI 304 / 1.4301
7	* Float	AISI 304 / 1.4301

*Available spare parts.

