

VACUUM BREAKER VB 21

DESCRIPTION

The VB 21 vacuum breakers are simple and reliable devices that automatically relieve or “break” an unwanted vacuum condition, restoring the atmospheric pressure.

This device is particularly suitable for steam heated units of small and medium volume as heat exchangers, heating coils, calorifiers, jacketed kettles, steam boilers, etc. Connections are female screwed.

USE: Saturated and superheated steam

AVAILABLE

MODELS: VB21

SIZES: ½”

CONNECTIONS: Inlet ½” vertical

Outlet 1/8” horizontal

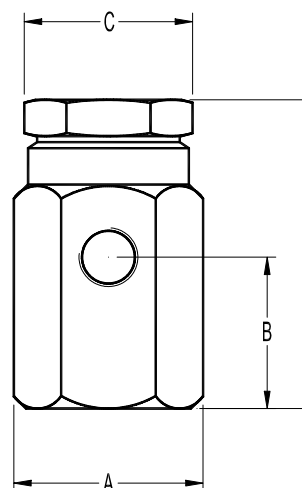
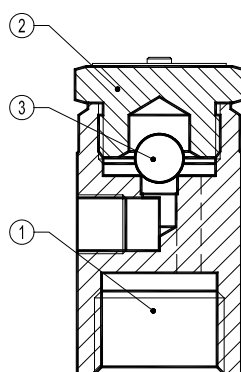
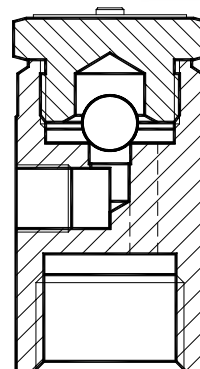
Female screwed ISO 7/1 Rp (BS21)

INSTALLATION: Vertical installation angled connection.

See IMI, installation and maintenance instructions.

PMO – Max.operating pressure
TMO – Max.operating temperature
How to order: i.e. VB21 DN ½” BSP.

21 bar
250 °C



MATERIALS		
POS.Nr.	DESIGNATION	MATERIAL
1	Body	AISI304 / 1.4301
2	Cover	AISI304 / 1.4301
3	* Ball valve	Stainless steel

*Available spare parts.

DIMENSIONS (mm)					
SIZE DN	A	B	C	D	WGT. Kgs
1/2”	32	26	26	52	0,17