

## CAST IRON PIPELINE Y STRAINERS IS 16

### DESCRIPTION

IS 16 Y cast iron strainers are applicable to all types of steam, water, oil and air systems.

Their purpose is to protect traps, regulating valves, piping, etc. from dirt which are often times the cause of damage and consequently energy loss of fluid systems.

Connections are female screwed.

**OPTIONS:** Different screen aperture sizes  
Drain plug or drain valve in strainer cap

**USE:** Saturated steam, water, oil, air and other compatible fluids.

**AVAILABLE MODELS:** IS 16

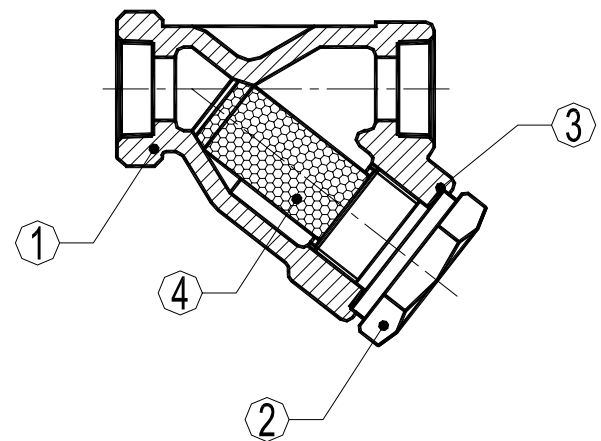
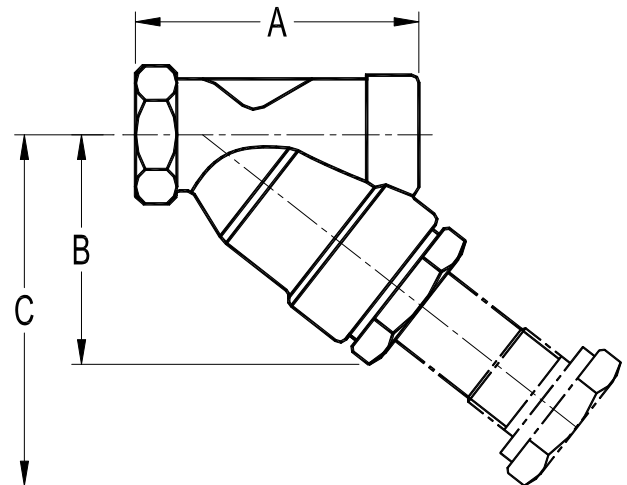
**SIZES:** DN ½" to DN 2"

**SCREENS:** 0,5 mm aperture

**CONNECTIONS:** Female screwed ISO 7/1 Rp (BS21)

**INSTALLATION:** Horizontal or vertical downstream installation.  
See IMI, installation and maintenance instructions.

PMA – Max.allowable pressure 25 bar  
TMA – Max.allowable temperature 350 °C  
PMO – Max.operating pressure 17 bar  
TMO – Max.operating temperature 220 °C  
How to order: i.e. IS16 DN 1½" BSP.



### CE MARKING (PED - European Directive 97/23/EC)

PN 25	Category
DN 15 to DN 40	SEP - art. 3, paragraph 3
DN 50	1 (CE Marked)

### DIMENSIONS (mm)

SIZE DN	A	B	C	WGT. Kgs
1/2"	82	52	77	0,6
3/4"	100	70	100	1
1"	115	76	121	1,5
1 1/4"	140	107	132	2,5
1 1/2"	157	121	176	3,6
2"	198	198	258	5,7

### MATERIALS

POS. Nr.	DESIGNATION	MATERIAL
1	Body	GJS-400-18-LT / 0.7033
2	Cap	GJS-400-18-LT / 0.7033
3	Gasket	St.Steel / Graphite
4	* Strainer screen	AISI304 / 1.4301

\* Available spare parts