

## DOUBLE WINDOW SIGHT GLASS DW 40S ( DN 32 – DN 50 )

### DESCRIPTION

For monitoring the right operation of a steam trap to avoid leakage of live steam and consequently big energy losses, a sight glass is recommended to be installed downstream of the steam trap.

Double window DW sight glass, has been designed for this particular application.

Connections are female screwed or flanged.

**OPTIONS:** Stainless steel construction  
**USE:** Condensate pipes downstream steam traps.

**AVAILABLE MODELS:** DW 40 S

**SIZES:** DN 1 1/4" to DN 2 " ; DN 32 to DN 50

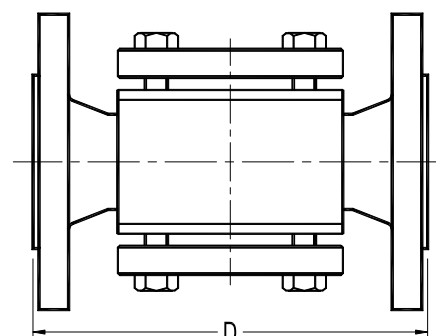
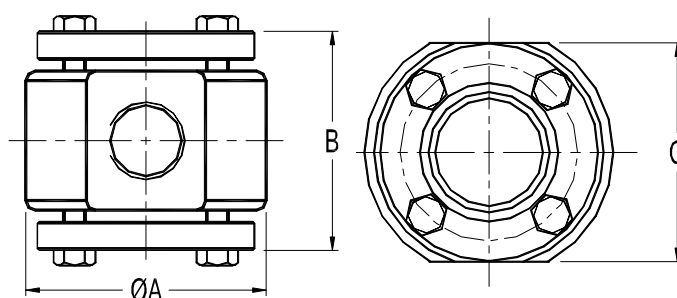
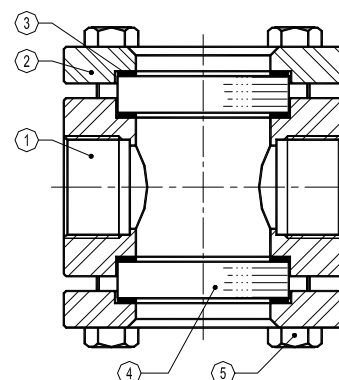
**CONNECTIONS:** Female screwed ISO 7/1Rp(BS21).  
NPT (ANSI B1.20.1)  
Flanged EN 1092-1 or ANSI

**INSTALLATION:** Horizontal or vertical installation.  
See IMI, installation and maintenance instructions.

PMO – Max.operating pressure 25 bar

TMO – Max.operating temperature 280 °C

How to order: i.e. DW40 DN 2" BSP.



### CE MARKING (PED - European Directive 97/23/EC)

PN 40	Category
DN 32	SEP - art. 3, paragraph 3
DN 40-50	1 (CE Marked)

### DIMENSIONS (mm)-Screwed EN 1092-1 Flanges

SIZE DN	A	B	C	WGT. Kgs	E	WGT. Kgs
32	130	115	114	6,2	180	9,5
40	130	115	114	6,5	200	10,5
50	130	125	114	7,5	230	12,5

### MATERIALS

POS.Nr.	DESIGNATION	MATERIAL
1	Body	S355J2G3 / 1.0570 ; P250GH / 1.0460
2	Glass nut	S355J2G3 / 1.0570
3	* Gasket	St.Steel / Graphite
4	* Window glass	Borosilicate
5	Bolts	Steel 8.8

\*Available spare parts.