

CAST IRON PIPELINE Y STRAINERS IS 16 F

DESCRIPTION

IS 16 F Y cast iron strainers are applicable to all types of steam, water, oil and air systems.

Their purpose is to protect traps, regulating valves, piping, etc. from dirt which are often times the cause of damage and consequently energy loss of fluid systems.

Connections are flanged.

OPTIONS: Different screen aperture sizes
Drain plug or drain valve in strainer cap

USE: Saturated steam, water, oil, air and other compatible fluids.

AVAILABLE MODELS: IS 16 F

SIZES: DN 15 to DN 100

SCREENS: 0,5 mm aperture up to DN50
1,2 mm aperture from DN 65 to DN 100

CONNECTIONS: Flanged EN 1092-2 PN16

INSTALLATION: Horizontal or vertical downstream installation.
See IMI, installation and maintenance instructions.

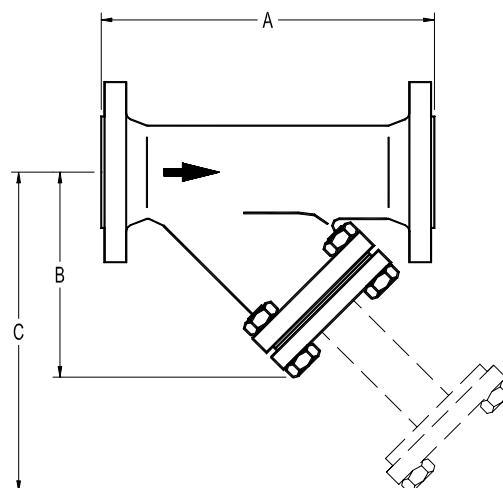
PMA – Max.allowable pressure 16 bar

TMA – Max.allowable temperature 300 °C

PMO – Max.operating pressure 13 bar

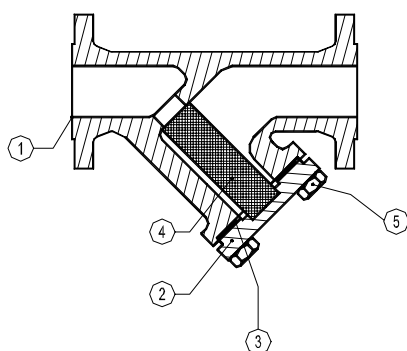
TMO – Max.operating temperature 200 °C

How to order: i.e. IS16F DN 40



DIMENSIONS (m m)				
SIZE DN	A	B	C	WGT. Kgs
15	130	60	100	2
20	150	70	120	3
25	160	80	140	3,5
32	180	85	150	5,5
40	200	120	190	6,5
50	230	135	220	9,5
65	290	185	310	15
80	310	205	340	22
100	350	245	410	32

CE MARKING (PED - European Directive 97/23/EC)	
PN 16	Category
DN15 to DN50	SEP - art. 3, paragraph3
DN65 to DN100	1 (CE Marked)



MATERIALS		
POS. Nr.	DESIGNATION	MATERIAL
1	Body	GJL-250 / 0.6025
2	Cap	GJL-250 / 0.6025
3	* Gasket	St.Steel / Graphite
4	* Strainer screen	AISI304 / 1.4301
5	Bolts	Steel 8.8

* Available spare parts