

NEEDLE VALVES NV-400

DESCRIPTION

The NV-400 is a high pressure needle stop valve, designed for steam and other industrial fluids isolation.

MAIN FEATURES

Rising stem
Complete stainless steel construction
High quality graphite packing

OPTIONS: Other sizes and materials available under request.

USE: Saturated steam, water, compressed air and other fluids compatible with the construction.

AVAILABLE MODELS:

NV-400

SIZES :

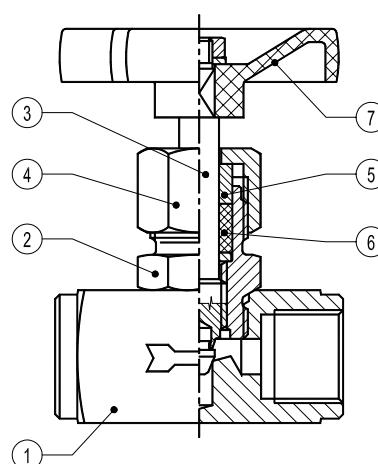
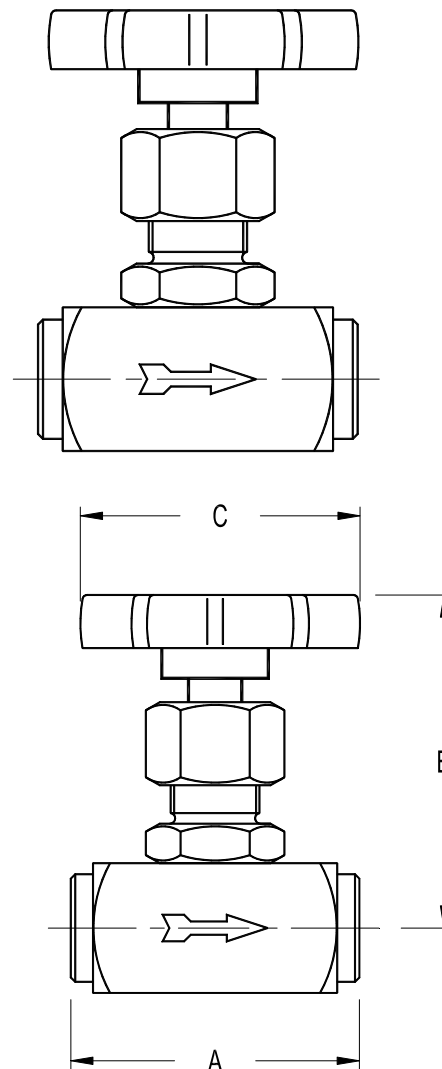
DN ¼" and DN ½"

CONNECTIONS: Female screwed ISO7/1Rp(BS21)

LIMITING

CONDITIONS : Working pressure: 280 bar at 300 °C
400 bar at 20 °C
Min. operating temperature : -20 °C

INSTALLATION: In any position with the flow in the direction of the arrow on the valve body.



DIMENSIONS (mm)

| DN | A | B | C | Weight Kgs |
|------|----|----|----|------------|
| 1/4" | 55 | 75 | 63 | 0,46 |
| 1/2" | 65 | 75 | 63 | 0,45 |

MATERIALS

| POS. | DESIGNATION | MATERIAL |
|------|-------------|--------------------|
| 1 | Valve Body | AISI316Ti / 1.4571 |
| 2 | Bonnet | AISI316Ti / 1.4571 |
| 3 | Stem | AISI316Ti / 1.4571 |
| 4 | Disk nut | AISI316Ti / 1.4571 |
| 5 | Packing | Graphite |
| 6 | Packing | Graphite |
| 7 | Handwheel | Plastic |