

## BELLOWS SEALED STOP VALVES VF16 – VF17 – VF18

**DESCRIPTION**

VF series are streamlined flow valves with bellows, inside screw and maintenance free.

They are specially recommended for steam, gas, liquid, condensate, thermal oil and water systems.

Connections are flanged.

**MAIN FEATURES**

Double wall bellows specially designed for high durability.

Maintenance free

Secondary safety sealing



**OPTIONS:** Parabolic plug  
PTFE disc sealing (max.180°C)

**USE:** Steam, gases and liquids compatible with the construction.

**AVAILABLE MODELS:** VF16 – PN16 – Cast iron  
VF17 – PN16 – Nodular cast iron  
VF18 – PN25 – Nodular cast iron

**SIZES:** DN15 to DN 250  
**CONNECTIONS:** Flanged EN1092-2 PN16-PN25

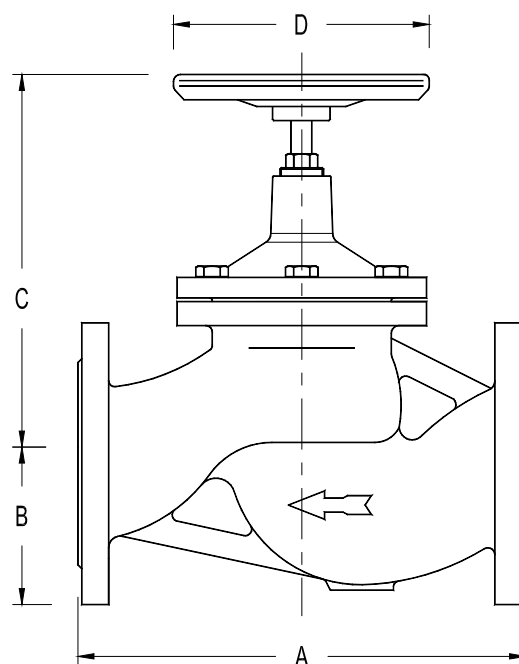
**INSTALLATION:** See IMI, installation and maintenance instructions.

CE MARKING (PED - European Directive 97/23/EC)			
PN 16	Category	PN 25	Category
DN15 to DN50	SEP - art. 3, paragraph3	DN15 to DN40	SEP - art. 3, paragraph3
DN65 to DN200	1 (CE Marked)	DN50 to DN125	1 (CE Marked)
DN250	2 (CE Marked)	DN150 to DN200	2 (CE Marked)

LIMITING CONDITIONS VF 16		LIMITING CONDITIONS VF 17		LIMITING CONDITIONS VF 18	
ALLOWABLE PRESSURES	RELATED TEMPERATURE	ALLOWABLE PRESSURES	RELATED TEMPERATURE	ALLOWABLE PRESSURES	RELATED TEMPERATURE
16 bar	-10 /120° C	16 bar	-10 /120° C	25 bar	-10 /120° C
12,8 bar	200 °C	14,7 bar	200 °C	23 bar	200 °C
11,2 bar	250 °C	13,9 bar	250 °C	21,8 bar	250 °C
9,6 bar	300 °C	12,8 bar	300 °C	20 bar	300 °C
/	/	11,2	350 °C	17,5 bar	350 °C

DIMENSIONS (mm)						
SIZE DN	A	B	C *	D	WGT. Kgs	Kv m3/h
15	130	47,5	175	100	2,2	4,6
20	150	52,5	175	100	3	7,3
25	160	57,5	191	100	4	11,7
32	180	70	193	125	5,5	16,8
40	200	75	229	150	8,2	26,7
50	230	82,5	231	150	10,2	42,6
65	290	92,5	314	200	18	77,9
80	310	100	316	200	20,5	111
100	350	110	353	225	30,6	177
125	400	125	385	250	42,5	262
150	480	142,5	443	350	64	368
200	600	170	517	400	110	664

\* Valve fully open.



MATERIALS			
POS.	DESIGNATION	MATERIAL VF16	MATERIAL VF17-18
1	Body	EN-GJL-250	EN-GJS-400-18-LT
2	Seat	St.Steel	St.Steel
3	* Spindle	St.Steel	St.Steel
4	* Disc	St.Steel	St.Steel
5	Bonnet	EN-GJL-250	EN-GJS-400-18-LT
6	* Bellows	St.Steel	St.Steel
7	* Gasket	St.Steel/Graphite	St.Steel/Graphite
8	* Packing	Carbo-Graphite	Carbo-Graphite
9	Gland	ZincPI.Steel	ZincPI.Steel
10	Bottom ring	ZincPI.Steel	ZincPI.Steel
11	Anti-friction disc	St.Steel	St.Steel
12	Elastic ring	St.Steel	St.Steel
13	Handwheel	Steel	Steel
14	Nut	ZincPI.Steel	ZincPI.Steel
15	Nameplate	Aluminium	Aluminium
16	Washer	Steel	Steel
17	Bolts	Steel 8.8	Steel 8.8

\* Available spare parts.

