

## SAMPLE COOLERS SC 32F – SC 132F ( With Funnel )

### DESCRIPTION

ADCA sample coolers are specially designed for taking samples of boiler water for analysis.

Sample coolers prevent steam flashing-off from hot pressurised liquid samples, which can be dangerous and will result in an incorrect water sample.

This device may be used for boiler water analysis and other sampling or cooling applications compatible with construction materials.

Connections are female screwed.

### MAIN FEATURES

Corrosion-resistant body and internals.

### OPTIONS:

- Sample inlet valve.
- Cooling water inlet valve.
- Temperature indicator
- Bolted top plate.
- Different connection sizes and materials under request against extra price.

### USE:

- Steam boilers.
- Cold and hot water systems.

### AVAILABLE MODELS:

- SC32F/SS and SC132F/SS - stainless steel body.
- SC32F/SS - recommended for boilers up to 20 bar.
- SC132F/SS - recommended for boilers up to 32 bar.

### SIZES:

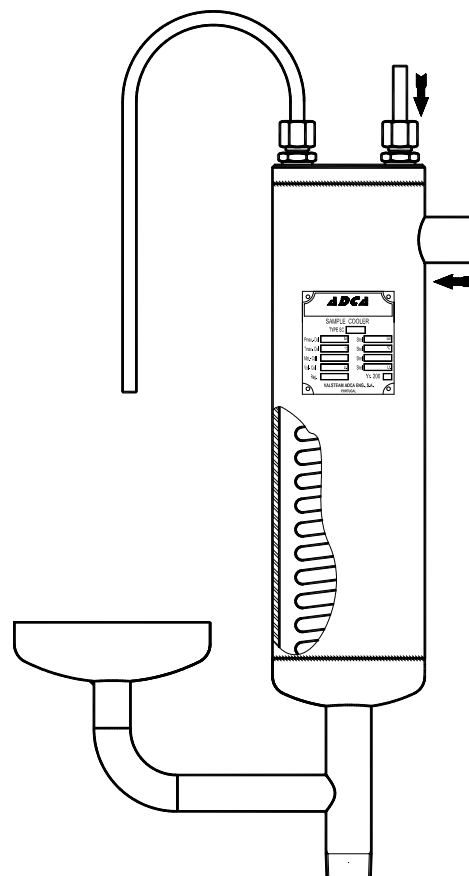
- Body : 1/2" inlet ; 3/4" outlet.
- Cover : 1/4" x 8mm compression fittings.

### PIPE

CONNECTIONS: Female screwed ISO 7/1 Rp (BS21)

INSTALLATION: Vertical installation.

OPERATION: Cooling water must be flowing before open or close the sample inlet valve.

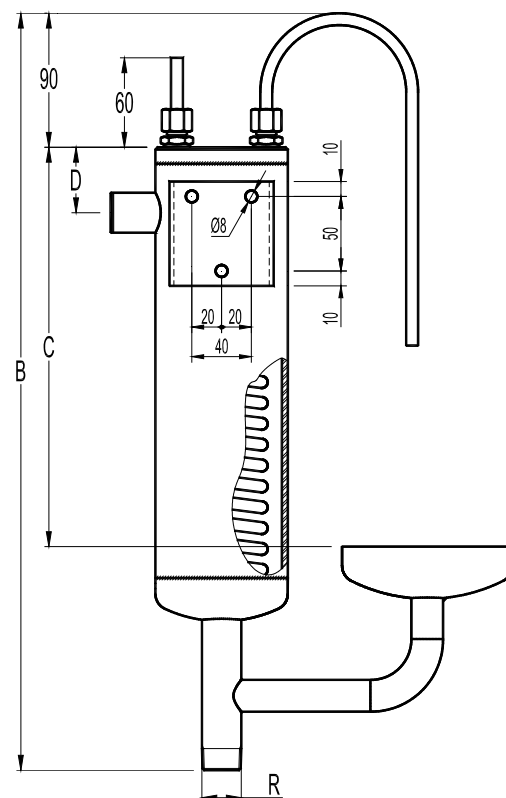


LIMITING CONDITIONS			
BODY		COIL	
Pressure bar	Related Temp. °C	Pressure bar	Related Temp. °C
16	100	32	300

Minimum operating temperature : -10°C

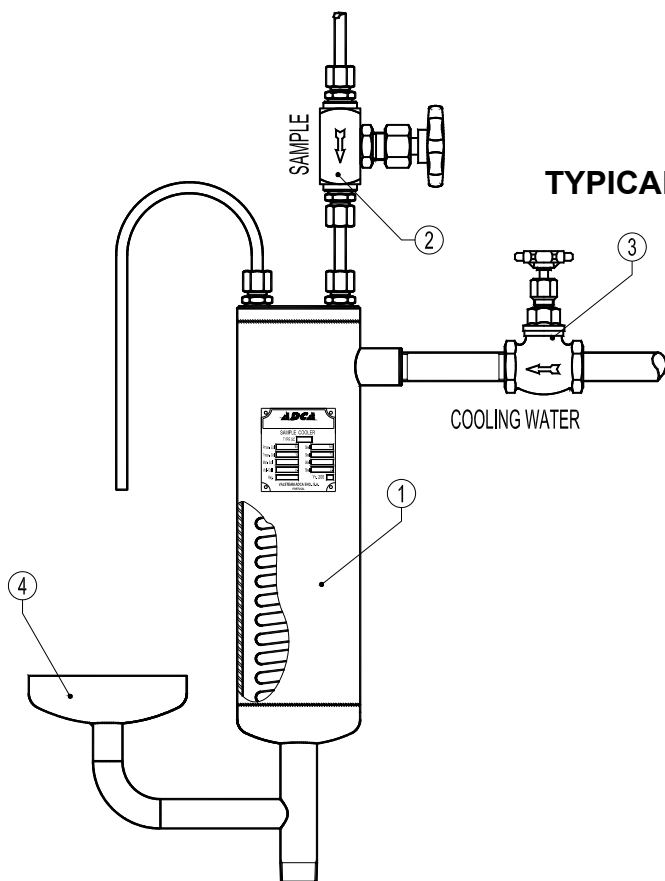
Design code : AD - Merkblatt

DIMENSIONS (mm)								
MODEL	A	B	C	D	E	F	R	WGT Kg
SC 32F	90	490	340	43	30	195	3/4"	4,5
SC 132F	90	590	340	43	30	195	3/4"	5,5

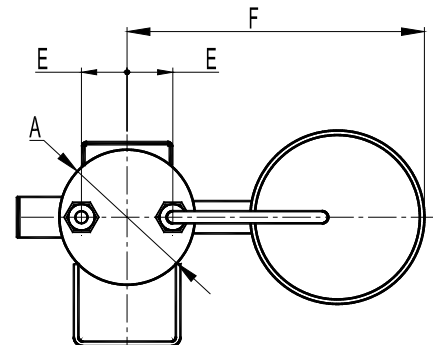


MATERIALS	
DESIGNATION	MATERIAL
Body and Funnel	AISI 304 / 1.4301
Covers	AISI 304 / 1.4301
Coil	AISI 316L / 1.4404
Compression fittings	Fe / Zn 12 - ISO 2081
Discharge tube	ASI 316L / 1.4404

EN10204 3.1 certificate available if requested with the order.



TYPICAL INSTALLATION



Position	Designation
1	Sample Cooler
2	Sample inlet valve NV-400
3	Cooling water inlet valve ADCA GV32B
4	Funnel