

## STEAM INJECTORS SI 125 – SI 140

### DESCRIPTION

The SI series steam injectors from ADCA are injection condensers. They ensure low noise and vibration and rapid heating of still or flowing fluids in basins and vessels due to direct steam injection.

Steam enters through the inlet housing, passes along the centre of the heater, mixing with the cool water which drawn in through radial holes.

Connections are female screwed.

### MAIN FEATURES

Quiet operation.  
Corrosion-resistant.  
No moving parts.

**OPTIONS:** Complete system including vacuum breaker and self operated controller. Different capacities and design available under request.

**USE:** Direct steam injection heating systems. See IMI installation and maintenance instructions.

**AVAILABLE MODELS:** SI-125, SI-140.

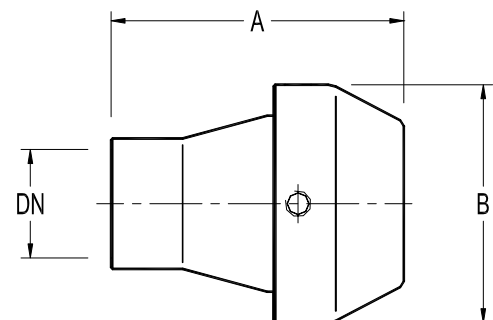
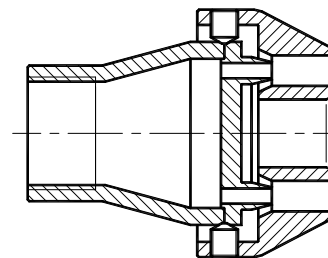
**SIZES:** DN 1" and DN 1 1/2"

**CONNECTIONS:** Female screwed ISO 7/1 Rp (BS21)

**INSTALLATION:** Horizontal installation.

**LIMITING CONDITIONS:** Body design conditions : PN 25  
Max. Operating pressure : 17 bar  
Max. recommended water temp: 95 °C  
**MATERIALS:** Austenitic stainless steel throughout.  
AISI316 / 1.4401

How to order: i.e. SI-140 DN 1 1/2" BSP



DIMENSIONS (mm)				
SIZE	DN	A	B	WEIGHT Kg
1"		90	73	0,92
1 1/2"		114	88	1,8

FLOW RATE CAPACITY IN Kg/h *																		
MODEL	SIZE	INLET STEAM PRESSURE (bar)																
		1	2	3	4	5	6	7	8	9	10	11	12	13	14	15	16	17
SI 125	1"	130	170	270	352	415	500	575	660	695	795	880	940	980	1040	1090	1150	1220
SI 140	1 1/2"	395	570	800	970	1120	1290	1440	1625	1810	1940	2240	2360	2590	2700	2800	3050	3200

\* With the vessel at atmospheric pressure.

Example: We require to inject 3500 Kg/hr of steam with a pressure of 8 bar. From the injector capacity table we see that at 8 bar the injector SI 140 will pass 1625 Kg/hr and 3500 divided by 1625=2,15.

Two injectors will barely cope, so, we recommend installing three injectors, which will meet the demand.