

FLASH VESSELS RV

DESCRIPTION

The flash vessel is the main component in any flash recovery system. It can be used in all steam plants where high pressure condensate is reduced to a lower pressure, so that flash steam is formed by re-evaporation. This steam can be used in low pressure process or heating equipments.

Connections are flanged or screwed on request.

MAIN FEATURES

Several possibilities of installation and special sizes and types (available on request).

OPTIONS: Complete stainless steel construction.
Installation supports on body (without supporting feet).

USE: High pressure condensate .
Boiler blowdown heat recovery systems.

AVAILABLE MODELS: RV...A/S ; RV...L/S - carbon steel body.
RV...A/SS ; RV...L/SS-st. steel body.
(A-angle ; L-inline connections)

SIZES: RV06,RV08,RV12,RV16 and RV18

CONNECTIONS: Flanged EN 1092-1 PN 16
Special flanges upon request.

INSTALLATION: Vertical installation.
Horizontal condensate inlet and outlet
or alternative horizontal inlet and vertical condensate outlet.
See AD (Assembling drawing)

LIMITING CONDITIONS					
Rating	Press. bar	Temp. °C	Rating	Press. bar	Temp. °C
PN16	16	120	ANSI Cl.150 lbs	16	120
	14 *	198		14 *	198
	13	250		-	-

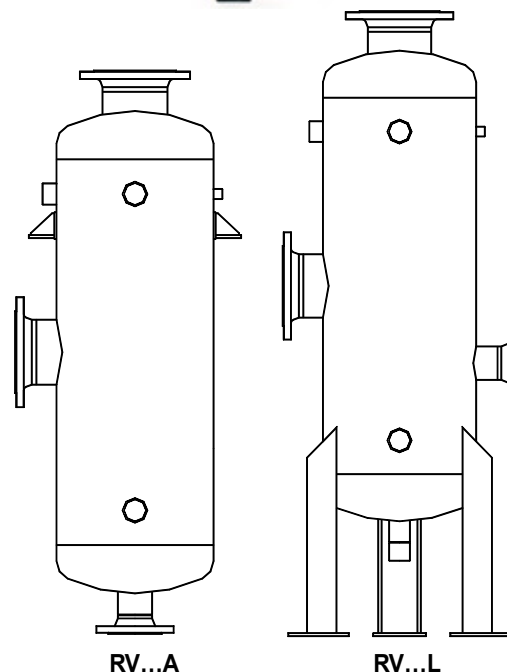
*PMO-Max.operating pressure for saturated steam.

Minimum operating temp.: -10°C. Design code: AD-Merkblatt

SIZING:

It is necessary to know the pressure on the steam traps or boiler pressure in the case of blowdown heat recovery, the flash steam pressure (desired or existing) and the condensate or blowdown flow rate.

Auxiliary equipment is recommended such as steam trap, safety valve, pressure gauge, pressure reducing valve, etc.





STEAM EQUIPMENT

CE Marking

This product have been designed for use on water steam, air and other gases which are in Group 2 of the PED European Pressure Equipment Directive 97/23/EC and it comply with those requirements.

The product carries the CE mark when falling in category 1 and above.

CE MARKING		
GROUP 2 GASES CATEGORIES		
RATING	SIZE	CAT.
PN16	RV06	2
	RV08	2
	RV12	3
	RV16	3
	RV18	3

APPROXIMATE DIMENSIONS (mm)

FLANGED EN 1092-1 - ANSI

MODEL	A	A1	B	C	D	D1	E	F	G	H	I	I1	d1	d2	d3	d4	WGT Kg
RV 06	1400	1200	185	170	800	600	635	50	50	50	853	-	3/4"	2"	1/2"	1"	80
RV 08	1500	1300	210	220	810	610	645	80	80	50	908	-	1"	2"	1/2"	1"	125
RV 12	1540	1340	265	325	830	630	660	100	100	50	908	-	1 1/2"	2"	1/2"	1"	195
RV 16	1660	1460	310	410	930	730	725	150	150	80	990	-	1 1/2"	2"	1/2"	1 1/2"	290
RV 18	1610	1410	330	460	965	765	755	150	150	80	-	485	2"	2"	1/2"	1 1/2"	385

Consult factory for certified dimensions. Dimensions subject to change without notice.

Other sizes can be supplied on request.

