

## ADCATHERM – STS Series SHELL AND TUBE HEAT EXCHANGERS ( Steam to water – Vertical installation )

### DESCRIPTION

The ADCA-STS series steam to water shell and tube heat exchangers are shorter and lighter than the alternative shell and tube exchangers manufactured with smooth pipes. The use of extruded low fin tube, has the advantage that it can improve the external surface and thermal performance.

### MAIN FEATURES

Corrosion-resistant stainless steel low finned tube bundle and shell construction.

Straight tubes for easy cleaning.

Expansion bellow in the shell avoiding excessive tube stresses caused by thermal expansion and contraction.

**OPTIONS:** Horizontal installation  
**USE:** Steam, water, hot condensate and other fluids compatible with the construction.

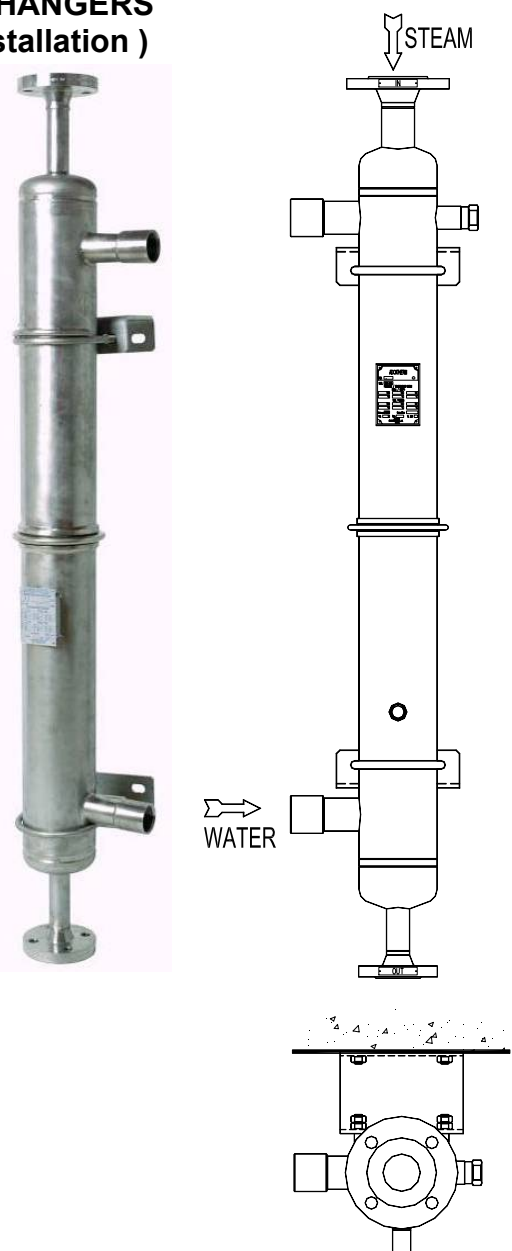
**AVAILABLE MODELS:** STSV – Vertical installation  
STSH – Horizontal installation (optional)

**INSTALLATION:** Vertical or horizontal (different condensate heads execution).

**ORDER REQUIREMENTS:** Steam pressure and temperature  
Inlet and outlet water temperature  
Water mass flow or heat exchanged.

### CE Marking :

This product have been designed for use on water and steam which are in Group 2 of the PED-European Pressure Equipment Directive 97/23/EC and it comply with those requirements. The product carries CE mark .



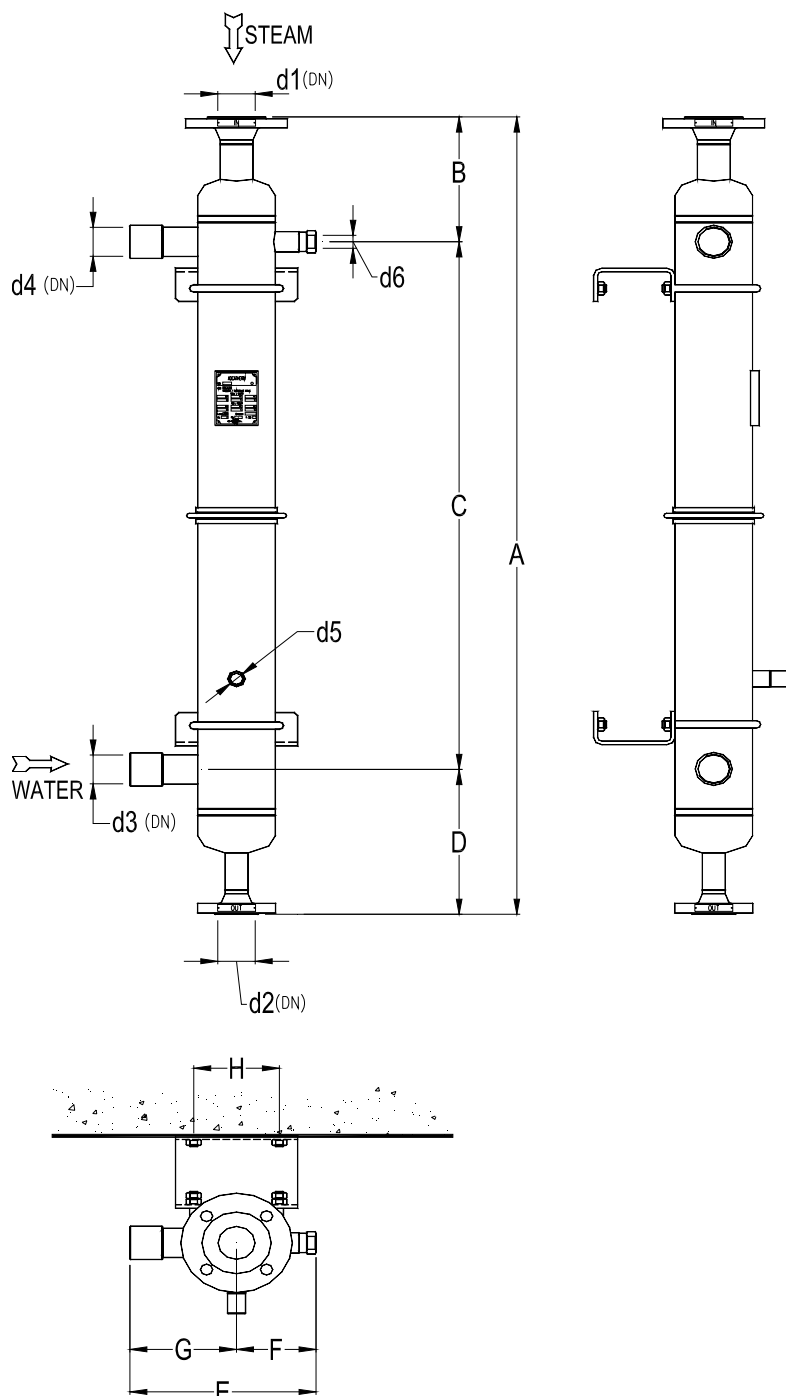
CE MARKING - GROUP 2 GASES CATEGORIES			
RATING	MODEL	CATEGORY Tube side	CATEGORY Shell side
PN 16	STSV 4.075 to 4.150	1	SEP

LIMITING CONDITIONS					
Rating	Press. bar	Temp. °C	Rating	Press. bar	Temp. °C
PN16	16	120	ANSI Cl.150 lbs	16	120
	14 *	198		14 *	198
	13	250		-	-

\*PMO-Max.operating pressure for saturated steam.  
Minimum operating temp.: -10°C. Design code: AD-Merkblatt

MATERIALS	
DESIGNATION	Material
Tube bundle	AISI316L / 1.4404
Tubesheet	AISI316 / 1.4401
Heads and shell	AISI316 / 1.4401
Inlet / Outlet pipes	AISI316 / 1.4401
EN flanges	AISI316 / 1.4401
ANSI Flanges	AISI316 / 1.4401
Sockets	AISI316 / 1.4401
Suports	AISI304 / 1.4301

EN 10204 3.1 certificate available if requested with the order.



Model	DIMENSIONS															
	A	B	C	D	E	F	G	H	I	J	d1	d2	d3	d4	d5	d6
STSV 4.075	1070	207	623	240	274	117	157	116	290	126	40	25	11/2	11/2	1/2	3/4
STSV 4.100	1320	207	873	240	274	117	157	116	290	126	40	25	11/2	11/2	1/2	3/4
STSV 4.150	1820	207	1373	240	274	117	157	116	290	126	40	25	11/2	11/2	1/2	3/4