

## ADCATHERM - STV Series Shell and Tube Heat Exchangers ( Steam to water - Vertical installation )

### DESCRIPTION

The ADCA-ST series steam to water shell and tube heat exchangers are shorter and lighter than the alternative shell and tube exchangers manufactured with smooth pipes. The use of extruded low fin tube, has the advantage that it can improve the external surface and thermal performance.

### MAIN FEATURES

Corrosion-resistant stainless steel low finned tube bundle construction.

Straight tubes for easy cleaning.

Floating head at the end of the tube bundle, avoiding tube stresses caused by thermal expansion and contraction.

**OPTIONS :** Horizontal installation, see STH catalogue.

**USE :** Steam, water, hot condensate and other fluids compatible with the construction.

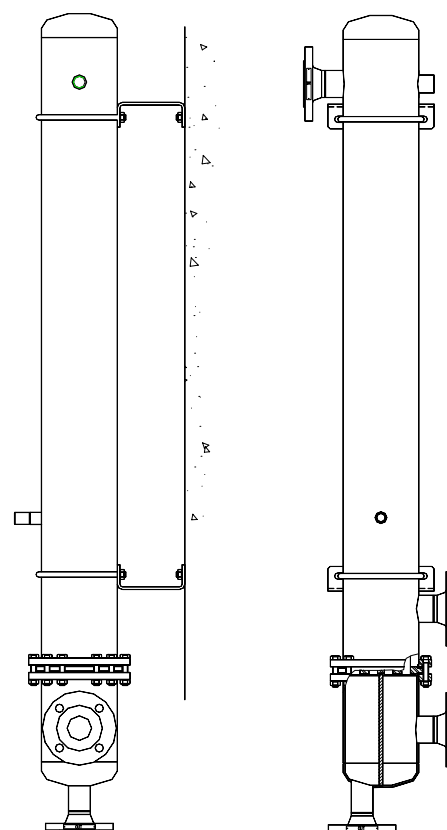
**AVAILABLE MODELS:** STH - Horizontal installation  
STV - Vertical installation

**CONNECTIONS :** Flanged or screwed, according to EN 1092-1 or ANSI standards.

**INSTALLATION:** Wall mounting or floor with special supports.  
Steam runs inside the tubes and process water outside.

### ORDER

**REQUIREMENTS:** Steam pressure and temperature  
Inlet and outlet water temperature  
Water mass flow or heat exchanged.  
See inquiry sheet .



CE MARKING - GROUP 2 GASES CATEGORIES			
RATING	MODEL	CATEGORY Tube side	CATEGORY Shell side
PN16	STV4.075 to 4.150	1	SEP
	STV5.075 to 5.150	1	SEP
	STV6.075 to 6.150	1	SEP
	STV8.075 to 8.150	2	SEP
	STV10.075 to 10.150	2	SEP

### CE Marking :

This product has been designed for use on water and steam which are in Group 2 of the PED-European Pressure Equipment Directive 97/23/EC and it comply with those requirements. The product carries the CE mark.

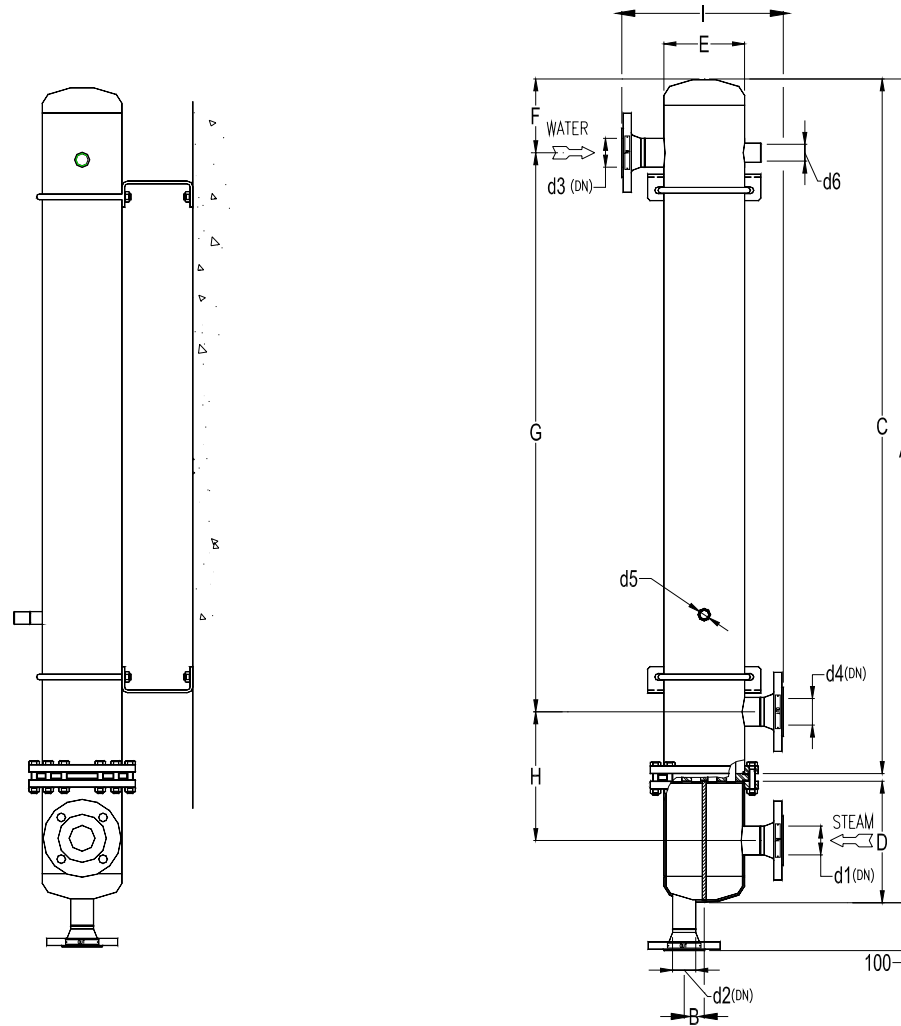
LIMITING CONDITIONS					
Rating	Press. bar	Temp. °C	Rating	Press. bar	Temp. °C
PN16	16	120	ANSI Cl.150 lbs	16	120
	14 *	198		14 *	198
	13	250		-	-

\*PMO-Max.operating pressure for saturated steam.

Minimum operating temp.: -10°C. Design code: AD-Merkblatt

MATERIALS	
DESIGNATION	Material
Tube bundle	AISI316L / 1.4404
Tubesheet	AISI316 / 1.4401
Heads and shell	S235 JRG2 / 1.0038 ; P235GH / 1.0305
Inlet / Outlet pipes	P235GH / 1.0305
EN flanges	P250GH / 1.0460
ANSI Flanges	ASTM A105 / 1.0432
Sockets	ASTM A105 / 1.0432
Suports	S235 JRG2 / 1.0038

EN 10204 3.1 certificate available if requested with the order.



**DIMENSIONS**

Model	A	C	D	E	F	G	H	I	J	d1	d2	d3	d4	d5	d6
STV4.075	965	785	166	114	120	550	207	314	116	50	25	50	50	1/2"	3/4"
STV4.100	1215	1035	166	114	120	800	207	314	116	50	25	50	50	1/2"	3/4"
STV4.150	1715	1535	166	114	120	1300	207	314	116	50	25	50	50	1/2"	3/4"
STV5.075	1040	790	235	140	150	510	276	340	150	65	40	65	65	1/2"	3/4"
STV5.100	1290	1040	235	140	150	760	276	340	150	65	40	65	65	1/2"	3/4"
STV5.150	1790	1540	235	140	150	1260	276	340	150	65	40	65	65	1/2"	3/4"
STV6.075	1093	820	255	168	180	500	288	368	180	65	40	65	65	1/2"	3/4"
STV6.100	1343	1070	255	168	180	750	288	368	180	65	40	65	65	1/2"	3/4"
STV6.150	1843	1570	255	168	180	1250	288	368	180	65	40	65	65	1/2"	3/4"
STV8.075	1122	840	264	220	193	487	304	420	230	80	50	80	80	1/2"	1"
STV8.100	1372	1090	264	220	193	737	304	420	230	80	50	80	80	1/2"	1"
STV8.150	1890	1590	264	220	193	1237	304	420	230	80	50	80	80	1/2"	1"
STV10.075	1185	855	306	273	205	448	356	473	285	80	50	80	80	1/2"	1"
STV10.100	1435	1105	306	273	205	698	356	473	285	80	50	80	80	1/2"	1"
STV10.150	1935	1605	306	273	205	1198	356	473	285	80	50	80	80	1/2"	1"

∅ d1 to d4 connections sized according with the flow conditions.

Dimensions subject to change without notice .

Consult factory for certified dimensions and weight.

Other sizes and designs can be supplied under request .

The pipe connections are sized considering the correct thermal insulation possibility .The insulation it's not included but it is recommended to be done after the installation.



### HEAT EXCHANGER FAX INQUIRY

Please send the inquiry for your *AdcaTherm* steam to water heat exchanger with the following parameters:

	TUBE SIDE	SHELL SIDE
FLUID	SATURATED STEAM	WATER
OPERATING PRESSURE	bar	bar
INLET TEMPERATURE	° C *	° C
OUTLET TEMPERATURE	° C *	° C
FLOW RATE	Kg/h *	Kg/h or m3/h
HEAT EXCHANGED (Option)	KW or Kcal/h	
MODEL REQUIRED (Please select)	STH (Horizontal)	STV (Vertical)

Remarks :

\* Not necessary in case of saturated steam.

STH – Horizontal installation ; STV – Vertical installation.

Your company name:	
Contact :	
Address :	
Country :	
Tel.:	Fax.:
E-mail:	Web-page:
