



INSTALLATION AND MAINTENANCE INSTRUCTIONS AE 17G AIR ELIMINATOR

GENERAL

1. These instructions must be carefully read before any work involving products supplied by VALSTEAM ADCA ENGINEERING S.A. is undertaken.
2. The installation procedure is a critical stage in a life of an air eliminator and care should be taken to avoid damage to the eliminator or equipment.

Warning !

- At start up , the presence of small particles in the water (dirt,scale,weld splatters,etc) may cause an unperfect closure of the seat . If this occur, proceed to an accurate cleaning.
- Do not touch the equipment without appropriate protection during working operation because it may conduct heat if the used fluid is at high temperature.
- Before starting maintenance be sure that the equipment is not pressurized or hot .
- The equipments must be used within the working temperature and pressure limits laid down for them, otherwise they may fail (refer to nameplate and/or IS- Information Sheet).
- Do not remove the nameplate attached to the equipment.Serial number and other useful information is stamped on it.

INSTALLATION

1. Before to install remove plastic covers placed on flanges or connection ends. The equipment has an arrow or Inlet/Outlet designations.Be sure that it will be installed on the appropriate direction.
2. Install the air eliminator in the highest point of the system, where the air tends to collect. It must be installed with the float lever in horizontal plane, so that it rises and falls vertically. A drip pipe is recommended to discharge to a safe place.

Limiting conditions :

PMA :Max.allowable pressure	16 bar
TMA: Max.allowable temperature	250 °C
PMO: Max.operating pressure	14 bar
TMO: Max.operating temperature	200 °C

Application limits :

Mnimum liquid specific weight :	0.45 Kg/dm ³
Max.differential pressure:	14 bar

MAINTENANCE

1. We recommend that the air eliminators are serviced as necessary. Regular maintenance is not particularly recommended.
2. When reassembling make sure that all gasket faces are clean and always use a new gasket. Tighten cover bolts uniformly in a diagonal sequence.
3. For further information refer to the relevant AE17G brochure or consult our Sales Office.

CE Marking :

This product have been designed for use on steam and water wich are in Group 2 of the PED-European Pressure Equipment Directive 97/23/EC and it comply with those requirements.

The product fall within category SEP and must not be CE marked.

LOSS OF GUARANTEE : Total or partial disregard of above instructions involves loss of any right to guarantee.

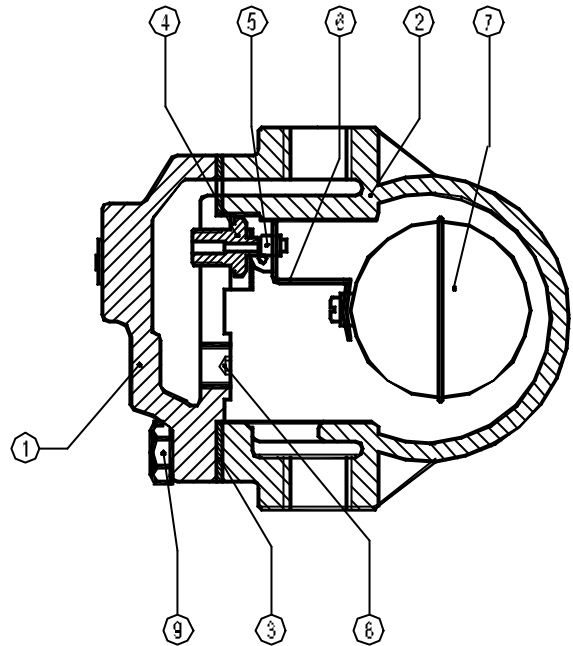
PARTS LIST FOR AE 17G AIR ELIMINATORS :

Code	Designation	Size Trap	Pos.Nr.	Qty.
A.95.3050.015	Valve, seat, float & gasket	DN1/2"-3/4"	3,4,5,6,7	1Set
A.95.3050.115	Float & gasket	DN1/2"-3/4"	3,7	1Set

Recommended tightening torques AE17G

Pos.Nr.	Size	Nm
4	1/2"-3/4"	55-60
9	1/2"-3/4"	45-50

Remarks: Tighten cover bolts uniformly.



TYPICAL INSTALLATION

