

## INSTALLATION AND MAINTENANCE INSTRUCTIONS SI 115 STEAM INJECTORS

### GENERAL

1. These instructions must be carefully read before any work involving products supplied by VALSTEAM ADCA ENGINEERING S.A. is undertaken.
2. The installation procedure is a critical stage in a life of a steam injector and care should be taken to avoid damage to the equipment.

#### Warning !

- At start up , the presence of small particles in the water (dirt, scale, weld splatters, etc) may cause an unperfect closure of the orifices . If this occur, proceed to an accurate cleaning.
- Do not touch the equipment without appropriate protection during working operation because it may conduct heat if the used fluid is at high temperature.
- Before starting maintenance be sure that the equipment is not pressurized or hot .
- The equipments must be used within the working temperature and pressure limits laid down for them, otherwise they may fail ( refer to nameplate and/or IS- Information Sheet).
- Do not remove the nameplate attached to the equipment. Serial number and other useful information is stamped on it.

### INSTALLATION

1. Before to install remove plastic covers placed on flanges or connection ends. The equipment has an arrow or Inlet/Outlet designations. Be sure that it will be installed on the appropriate direction.
2. The SI steam injector should be fitted as low as possible in the tank and always below the level of the thermostat controller. A minimum depth of water must be allowed below the injector as shown on Fig.1 and 2.
3. The distance between the injector and the tank wall must be as great as possible. The dimensions mentioned on Fig.1 to 3 are the minimum recommended.
4. A stiffener plate should be welded to the tank wall to carry the bulkhead fitting (Fig.4). A vacuum breaker (VB21) must be fitted between the injector and the control valve. Where steam supply pipe is below the level of the liquid in the tank (Fig. 1), a non return valve is recommended between the injector and the control valve to prevent the contents of the tank flowing back through the valve and back up the steam supply pipe when the steam supply is turned off. A stop valve should also be fitted between the injector and the non return valve to enable maintenance work to be done on both the control valve and non return valve.

### TYPICAL INSTALLATION

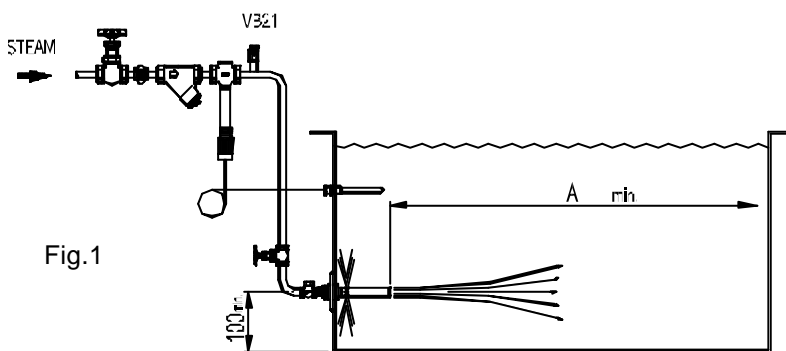


Fig.1

#### Top view

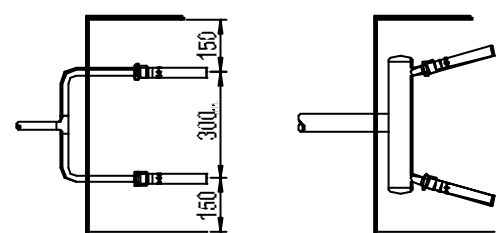


Fig.3

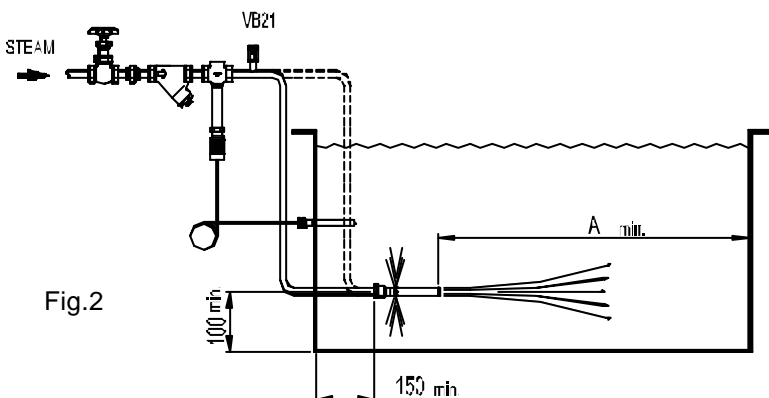


Fig.2

Op. Press.	A mm
2 - 4 bar	250
4 - 8 bar	300
8 - 10 bar	350
10 - 14 bar	400
14 - 17 bar	500

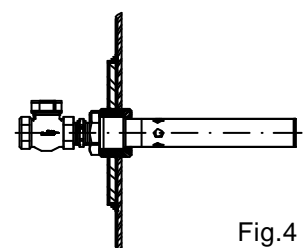


Fig.4

**LOSS OF GUARANTEE : Total or partial disregard of above instructions involves loss of any right to guarantee.**