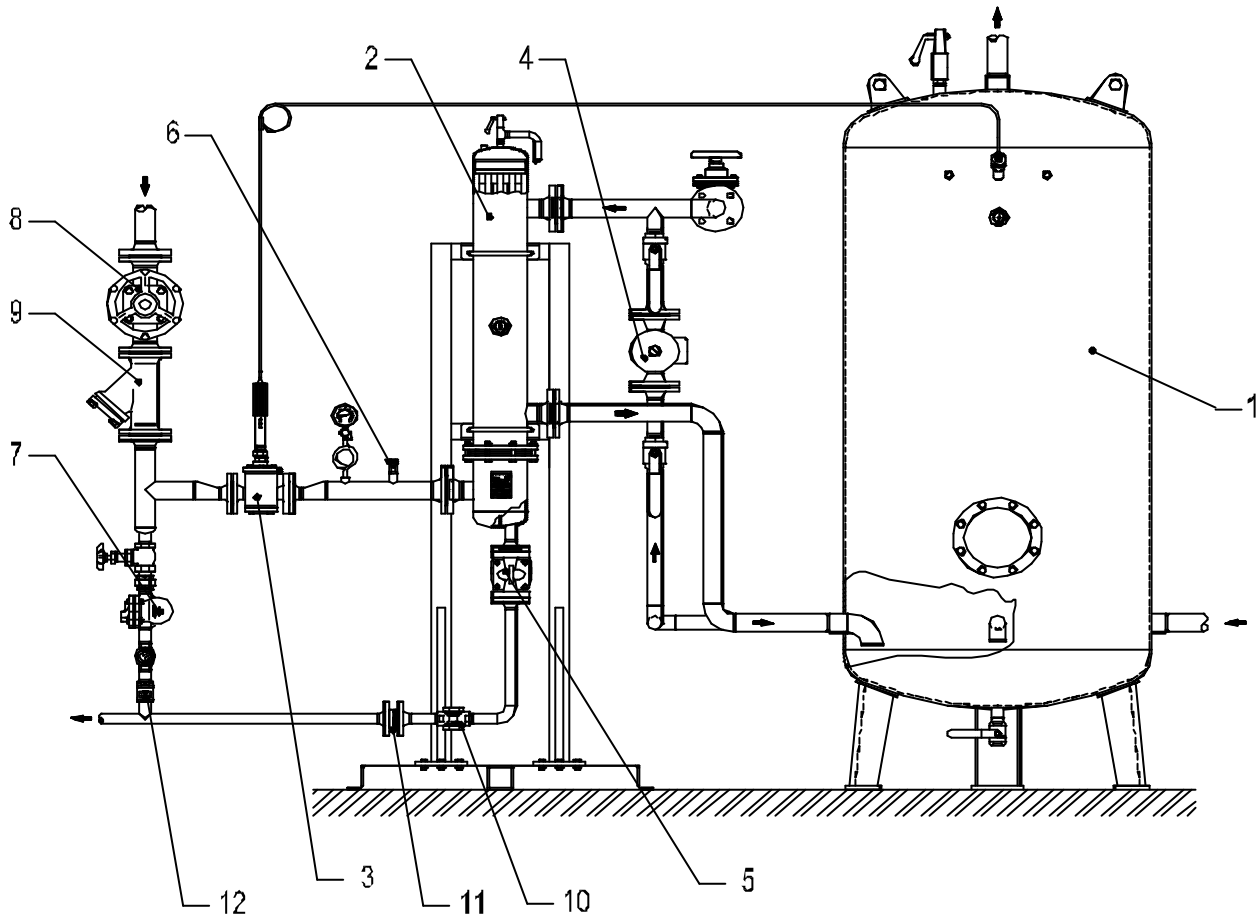


**ADCATHERM STV SHELL & TUBE HEAT EXCHANGER**  
**Typical Installation**  
**( Heating a storage hot water vessel )**



**MATERIALS**

POS.	DESIGNATION	MODEL
1	STORAGE VESSEL	---
2	HEAT EXCHANGER	STV
3	CONTROL VALVE	TR 37
4	CIRCULATING PUMP	---
5	FLOAT&THERMOST.STEAM TRAP	FLT 17
6	VACCUM BREAKER	VB 21
7	FLOAT&THERMOST.STEAM TRAP	FLT 16
8	ISOLATING VALVE	---
9	Y STRAINER	IS 16
10	SIGH GLASS	DW
11	CHECK VALVE	RD40
12	CHECK VALVE	RT25

**Remarks :**

**Materials according to the operating pressures.**

**Different assembling designs may be produced on request .**