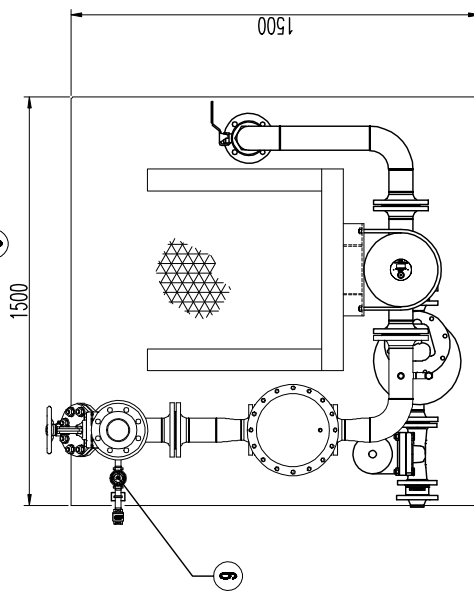
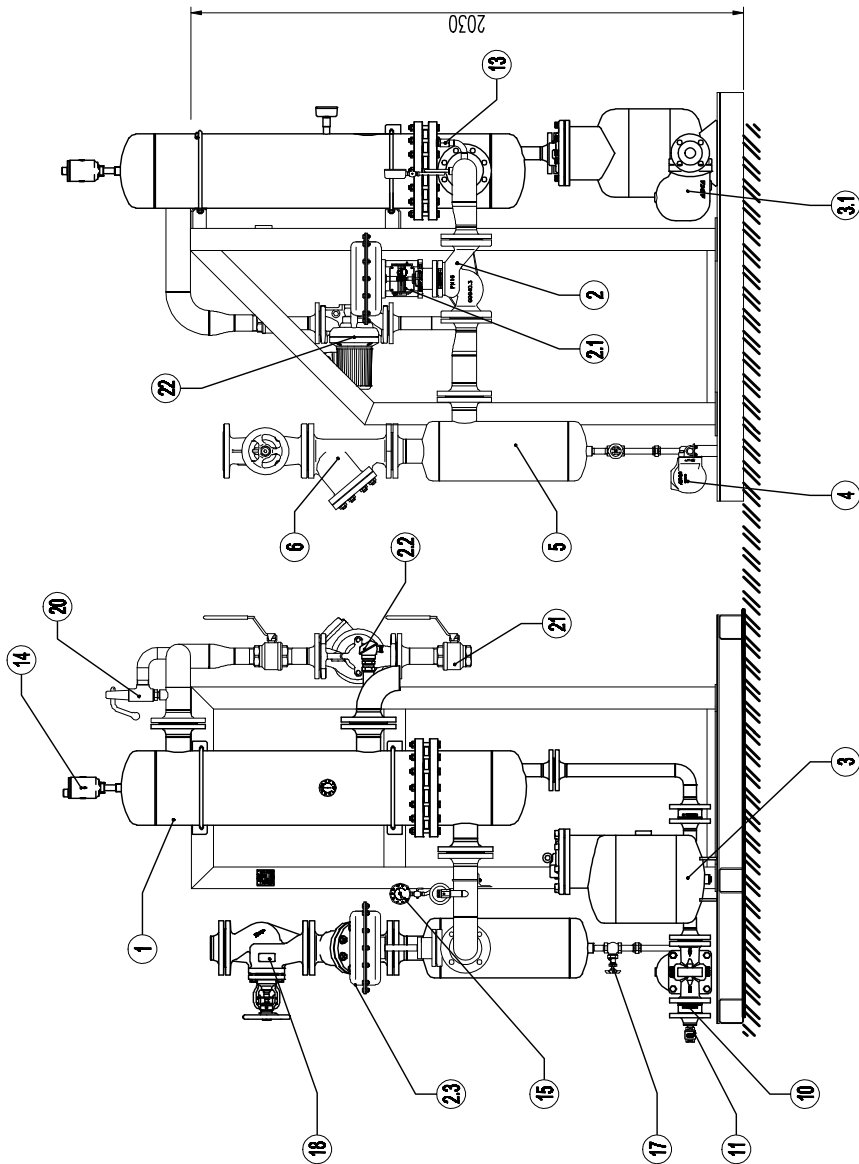


Nr.	Designation	Ref./DN	QTY	✓
1	ADCATHERM Heat exchanger		1	
2	ADCATROL Control valve		1	
21	PE10 Electropneumatic positioner		1	
22	PE 100 pocket+PT100		1	
23	ADCA PA actuator		1	
3	ADCA POPS pressure operate pump		1	
31	ADCA FLT Float & thermostatic steam trap		1	
4	ADCA FTL Float & thermostatic steam trap		1	
5	ADCA S25 Humidity separator		1	
6	ADCA IS16F Y strainer		1	
9	ADCA SW12 Sigh glass		1	
10	ADCA RD40 Check valve		2	
11	ADCA RT25 Check valve		1	
13	ADCA VB21 Vacuum breaker		1	
14	ADCA AE16SS Air eliminator		1	
15	Pressure gauge		1	
17	Globe valve		1	
18	Globe valve		1	
20	Safety valve		1	
21	Globe valve		2	
22	Circulating pump		1	



WORKING CONDITIONS			
TUBE SIDE	STEAM	Bar	
SHELL SIDE	WATER	°C	
	Inlet	°C	
	Outlet	°C	
OUTPUT		Kw	
Reg.		Yr. 200	

Data	Rubrica
Proj.	06/10/31 F. Soares
Des.	06/10/31 Paulo S.
Verif.	
Escalas	Tolerancias n/ especificações
	Desvios
	Dimensões
	> 0 e ≤ 40,2
	> 5 e ≤ 40,2
	> 30 e ≤ 120,40,2
	> 120,40,2
	Angulo ±/30°
	Conexão / Rosca 0,3

VALSTEAM	Proc. 0.490
ADCA ENGINEERING SA	Proposta
ADCATHERM "PWHU" Packaged Water Heating Unit C/ Bomba Adcamat	Des.N.º ADPWHU.01.2439
	Rev: 00 Em: 00/00/00

Este projecto e desenho e propriedade de Valsteam Adca Eng. SA. O seu uso ou reproducao são reservados.